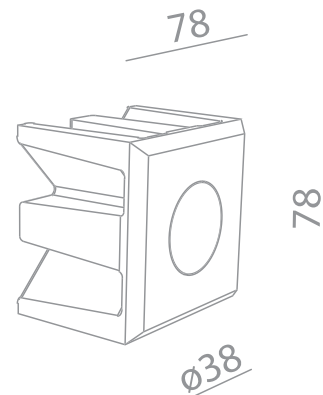
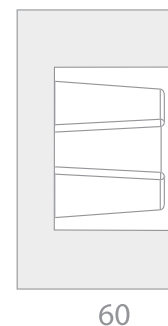


TECHNICAL DATA SHEET



PICA 3 LED DIM	
REF N° 124 60 500	CRI 80 warm white 2200°K
REF N° 124 60 000	CRI 90 warm white 2700°K
REF N° 124 60 100	CRI 90 warm white 3000°K
REF N° 124 60 300	royal blue
<p>◊ - 1W - excl. LED driver - current controlled 350 mA - ▽ - Ⓢ - Ⓡ - Ⓢ - Ⓡ - Ⓢ - Ⓡ</p> <p>CE - IP40 - Ⓢ - eco - serial wiring</p> <p>3 SDCM - 3 Step MacAdam</p> <p>Requires remote LED driver</p> <p>current controlled 350 mA</p>	



Ready for installation in solid walls
Optional plasterkit for installation into gypsum walls

PLASTERKIT PICA 3
REF N° 724 01 000 For mounting into gypsum walls
85x85 mm. Housing: perforated aluminium

REMOTE LED DRIVER ON/OFF
REF N° 697 00 006 8W
REF N° 697 00 015 15W
REF N° 697 00 025 25W
<p>230V/50Hz - Ⓢ - current controlled</p> <p>▽ - CE - IP20 - 350mA - not dimmable</p>

REMOTE LED DRIVER DIM
REF N° 697 60 006 6W 1-10V
REF N° 697 60 015 15W 1-10V
REF N° 697 30 015 15W DALI
REF N° 697 60 025 25W 1-10V DALI PUSH
REF N° 697 60 040 40W 1-10V DALI PUSH
REF N° 697 70 009 9W PHASE DIM (tr. edge)
REF N° 697 70 017 17W PHASE DIM
<p>230V/50Hz - Ⓢ - current controlled</p> <p>▽ - CE - IP20 - 350mA - dimmable</p>

