

TECHNICAL DATA SHEET

BUTTON 2 x 2 LED DIM SURFACE 230 VAC

REF N° 161 70 500 CRI 80 phase DIM 2200°K
 REF N° 161 70 000 CRI 90 phase DIM 2700°K
 REF N° 161 70 100 CRI 90 phase DIM 3000°K
 REF N° 161 70 300 royal blue

◆ - 4x1W - incl. LED driver - current controlled 350 mA - ▽ - 0.2m - ☒ - ☒ - IP40 - (P) - eco - parallel wiring
 3 SDCM - 3 Step MacAdam
 Integrated LED driver
 connects directly to 230 VAC

BUTTON 2 x 2 LED DIM SURFACE REMOTE DRIVER

REF N° 161 60 500 CRI 80 warm white 2200°K
 REF N° 161 60 000 CRI 90 warm white 2700°K
 REF N° 161 60 100 CRI 90 warm white 3000°K
 REF N° 161 60 300 royal blue

◆ - 4x1W - excl. LED driver - current controlled 350 mA - ▽ - 0.2m - ☒ - ☒ - IP40 - (P) - eco - serial wiring
 3 SDCM - 3 Step MacAdam
 Requires remote LED driver
 current controlled 350 mA

REMOTE LED DRIVER ON/OFF

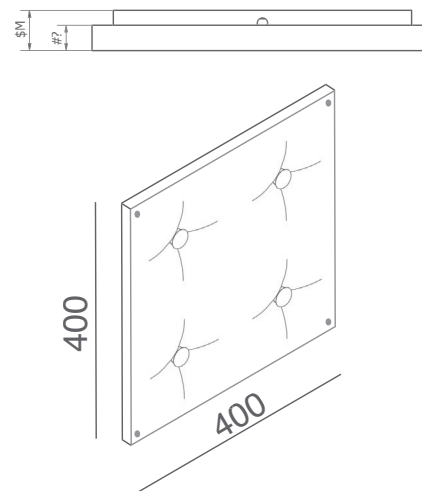
REF N° 697 00 006 8W
 REF N° 697 00 015 15W
 REF N° 697 00 025 25W

230V/50Hz - ☒ - current controlled
 ▽ - ☒ - IP20 - 350mA - not dimmable

REMOTE LED DRIVER DIM

REF N° 697 60 006 6W 1-10V
 REF N° 697 60 015 15W 1-10V
 REF N° 697 30 015 15W DALI
 REF N° 697 60 025 25W 1-10V DALI PUSH
 REF N° 697 60 040 40W 1-10V DALI PUSH
 REF N° 697 70 009 9W PHASE DIM (tr. edge)
 REF N° 697 70 017 17W PHASE DIM

230V/50Hz - ☒ - current controlled
 ▽ - ☒ - IP20 - 350mA - dimmable



Button 2x2 : ready to fix to metal or wood studs.
 No plasterkit required