

TECHNICAL DATA SHEET

BUTTON 2 x 2 LED DIM

REF N° 160 60 500 CRI 80 warm white 2200°K

REF N° 160 60 000 CRI 90 warm white 2700°K

REF N° 160 60 100 CRI 90 warm white 3000°K

REF N° 160 60 300 royal blue

◊ - 4x1W - excl. LED driver - current controlled 350 mA - ▽ - (0.2m) - E
CE - IP40 - P - **eco** - serial wiring
3 SDCM - 3 Step MacAdam
Requires remote LED driver
current controlled 350 mA

REMOTE LED DRIVER ON/OFF

REF N° 697 00 006 8W

REF N° 697 00 015 15W

REF N° 697 00 025 25W

230V/50Hz - □ - current controlled
▽ - CE - IP20 - 350mA - not dimmable

REMOTE LED DRIVER DIM

REF N° 697 60 006 6W 1-10V

REF N° 697 60 015 15W 1-10V

REF N° 697 30 015 15W DALI

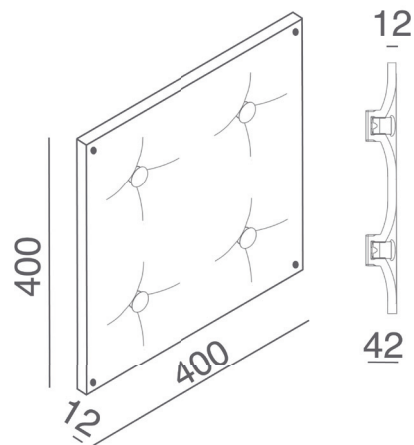
REF N° 697 60 025 25W 1-10V DALI PUSH

REF N° 697 60 040 40W 1-10V DALI PUSH

REF N° 697 70 009 9W PHASE DIM (tr. edge)

REF N° 697 70 017 17W PHASE DIM

230V/50Hz - □ - current controlled
▽ - CE - IP20 - 350mA - dimmable



Button 2x2: ready to fix to metal or wood studs.
No plasterkit required