

# TECHNICAL DATA SHEET

## ZERODIX 140 LED 2000LM CRI 97

- REF N° 264 25 990 Fix on/off 2700K
- REF N° 264 25 890 Fix on/off 3000K
- REF N° 264 25 892 Fix on/off Vibrant V930
- REF N° 264 65 990 Fix DIM 1-10V 2700K
- REF N° 264 65 890 Fix DIM 1-10V 3000K
- REF N° 264 65 892 Fix DIM 1-10V Vibrant V930
- REF N° 264 35 990 Fix DIM DALI 2700K
- REF N° 264 35 890 Fix DIM DALI 3000K
- REF N° 264 35 892 Fix DIM DALI Vibrant V930

Xicato LED - 29,3W - 2000lm @ 70°C  
 □ - 230V/50Hz ⚡ - incl LED driver - 90°  
 ▽ - IP20 Ⓛ0.5m - ⚡ CE - 850°C - 2 SDCM  
 h=135 - □ 204x204 mm

## ZERODIX 140 LED 2000LM CRI 80

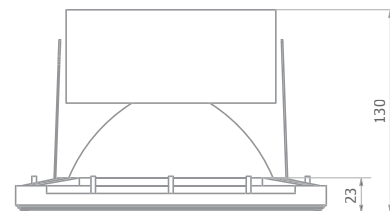
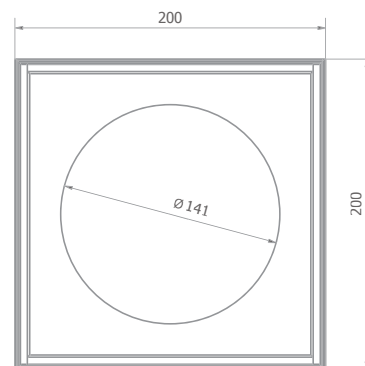
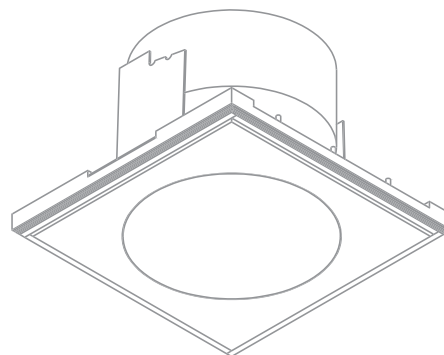
- REF N° 264 25 090 Fix on/off 2700K
- REF N° 264 25 190 Fix on/off 3000K
- REF N° 264 25 192 Fix on/off Vibrant V830
- REF N° 264 65 090 Fix DIM 1-10V 2700K
- REF N° 264 65 190 Fix DIM 1-10V 3000K
- REF N° 264 65 192 Fix DIM 1-10V Vibrant V830
- REF N° 264 35 090 Fix DIM DALI 2700K
- REF N° 264 35 190 Fix DIM DALI 3000K
- REF N° 264 35 192 Fix DIM DALI Vibrant V830

Xicato LED - 19,5W - 2000lm @ 70°C  
 □ - 230V/50Hz ⚡ - incl LED driver - 90°  
 ▽ - IP20 Ⓛ0.5m - ⚡ CE - 850°C - 2 SDCM  
 h=135 - □ 204x204 mm

## ZERODIX 140 LED 3000LM CRI 80

- REF N° 264 26 090 Fix on/off 2700K
- REF N° 264 26 190 Fix on/off 3000K
- REF N° 264 26 192 Fix on/off Vibrant V830
- REF N° 264 66 090 Fix DIM 1-10V 2700K
- REF N° 264 66 190 Fix DIM 1-10V 3000K
- REF N° 264 66 192 Fix DIM 1-10V Vibrant V830
- REF N° 264 36 090 Fix DIM DALI 2700K
- REF N° 264 36 190 Fix DIM DALI 3000K
- REF N° 264 36 192 Fix DIM DALI Vibrant V830

Xicato LED - 29,3W - 3000lm @ 70°C  
 □ - 230V/50Hz ⚡ - incl LED driver - 90°  
 ▽ - IP20 Ⓛ0.5m - ⚡ CE - 850°C - 2 SDCM  
 h=135 - □ 204x204 mm



Included: installation system for gypsum ceiling 9 - 12 - 15 mm

## OPTIONAL INSTALLATION KIT

REF N° 264 99 025 installation system for gypsum ceiling 25 mm

REF N° 264 99 030 installation system for gypsum ceiling 30 mm