

TECHNICAL DATA SHEET

ZERODIX 70 LED 1000LM CRI 97

- REF N° 258 22 960** Fix on/off 2700K
- REF N° 258 22 860** Fix on/off 3000K
- REF N° 258 22 862** Fix on/off Vibrant V930
- REF N° 258 62 960** Fix DIM 1-10V 2700K
- REF N° 258 62 860** Fix DIM 1-10V 3000K
- REF N° 258 62 862** Fix DIM 1-10V Vibrant V930
- REF N° 258 32 960** Fix DIM DALI 2700K
- REF N° 258 32 860** Fix DIM DALI 3000K
- REF N° 258 32 862** Fix DIM DALI Vibrant V930

Xicato LED - 12,2W - 965lm @ 70°C
 □ - 230V/50Hz ⚡ - incl LED driver - 60°
 ▽ - IP20 ⓪0.5m - ⚡ CE - 850°C - 2 SDCM
 h=115 - 144x144 mm

ZERODIX 70 LED 1000LM CRI 80

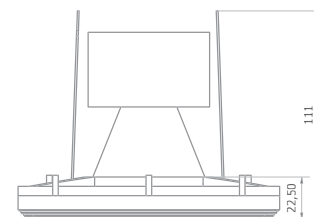
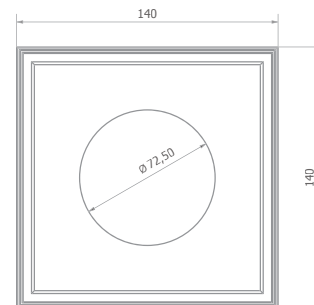
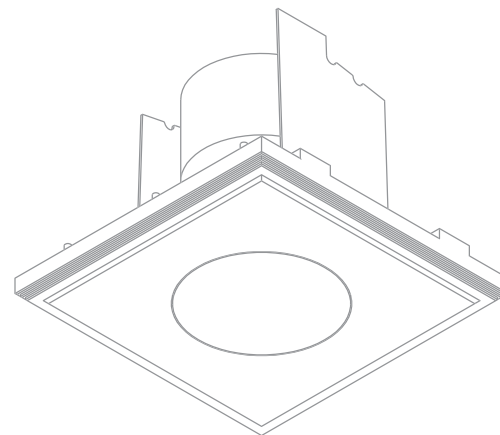
- REF N° 258 22 060** Fix on/off 2700K
- REF N° 258 22 160** Fix on/off 3000K
- REF N° 258 22 162** Fix on/off Vibrant V830
- REF N° 258 62 060** Fix DIM 1-10V 2700K
- REF N° 258 62 160** Fix DIM 1-10V 3000K
- REF N° 258 62 162** Fix DIM 1-10V Vibrant V830
- REF N° 258 32 060** Fix DIM DALI 2700K
- REF N° 258 32 160** Fix DIM DALI 3000K
- REF N° 258 32 162** Fix DIM DALI Vibrant V830

Xicato LED - 8,1W - 965lm @ 70°C
 □ - 230V/50Hz ⚡ - incl LED driver - 60°
 ▽ - IP20 ⓪0.5m - ⚡ CE - 850°C - 2 SDCM
 h=115 - 144x144 mm

ZERODIX 70 LED 1300LM CRI 80

- REF N° 258 23 060** Fix on/off 2700K
- REF N° 258 23 160** Fix on/off 3000K
- REF N° 258 23 162** Fix on/off Vibrant V830
- REF N° 258 63 060** Fix DIM 1-10V 2700K
- REF N° 258 63 160** Fix DIM 1-10V 3000K
- REF N° 258 63 162** Fix DIM 1-10V Vibrant V830
- REF N° 258 33 060** Fix DIM DALI 2700K
- REF N° 258 33 160** Fix DIM DALI 3000K
- REF N° 258 33 162** Fix DIM DALI Vibrant V830

Xicato LED - 11,7W - 1300lm @ 70°C
 □ - 230V/50Hz ⚡ - incl LED driver - 60°
 ▽ - IP20 ⓪0.5m - ⚡ CE - 850°C - 2 SDCM
 h=115 - 144x144 mm



Included: installation system for gypsum ceiling 9 - 12 - 15 mm

OPTIONAL INSTALLATION KIT

REF N° 258 99 025 installation system for gypsum ceiling 25 mm

REF N° 258 99 030 installation system for gypsum ceiling 30 mm