

TECHNICAL DATA SHEET

PIXO 50 W LED 700LM CRI 80

REF N° 262 72 040 Fix phase DIM 2700K
 REF N° 262 72 140 Fix phase DIM 3000K
 REF N° 262 72 142 Fix phase DIM Vibrant V830
 REF N° 262 72 240 Fix phase DIM 4000K
 REF N° 262 62 040 Fix DIM 1-10V 2700K
 REF N° 262 62 140 Fix DIM 1-10V 3000K
 REF N° 262 62 142 Fix DIM 1-10V Vibrant V830
 REF N° 262 62 240 Fix DIM 1-10V 4000K

Xicato LED - 8,3 W - 720lm @ 70°C
 □ - 230V/50Hz - incl LED driver - IP20
 36° - ▽ - ⏏ - 0.5m - ⚡ - CE - 850°C - 2 SDCM
 h=123 - ⏏ - 114x144 mm

PIXO 50 W LED 500LM CRI 97

REF N° 262 72 940 Fix phase DIM 2700K
 REF N° 262 72 840 Fix phase DIM 3000K
 REF N° 262 72 842 Fix phase DIM Vibrant V930
 REF N° 262 72 740 Fix phase DIM 4000K
 REF N° 262 62 940 Fix DIM 1-10V 2700K
 REF N° 262 62 840 Fix DIM 1-10V 3000K
 REF N° 262 62 842 Fix DIM 1-10V Vibrant V930
 REF N° 262 62 740 Fix DIM 1-10V 4000K

Xicato LED - 8,5 W - 500lm @ 70°C
 □ - 230V/50Hz - inclusive LED driver
 36° - ▽ - ⏏ - 0.5m - ⚡ - CE - 850°C - 2 SDCM
 h=123 - ⏏ - 114x144 mm

PIXO 50 W HAL

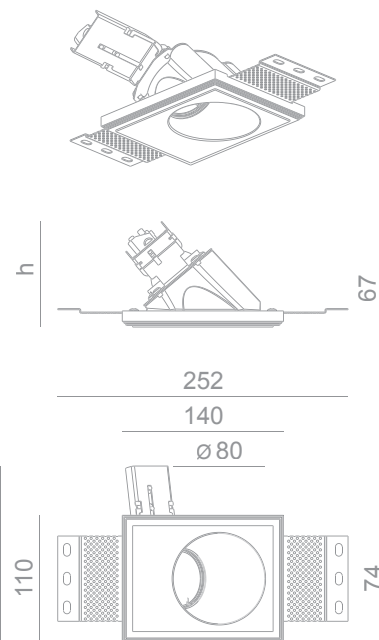
REF N° 262 10 050 Fix. IP20

⚡ QR-CBC 51 - 50W - Gx5.3 - 12V - ⚡ - CE
 excl lamp and transfo - ▽ - ⏏ - 0.5m - 850°C
 Outdoor: Waterproof Calcyt+®
 ⚡ - h=95 - ⏏ - 114x144 mm

PIXO 50 W ES

REF N° 262 11 050 Fix. IP20

⚡ QPAR 16 - 50W - GZ10/GU10 - ⚡ - CE
 230V/50Hz - excl. lamp - ▽ - ⏏ - 0.5m - 850°C
 Outdoor: Waterproof Calcyt+®
 ⚡ - h=100 - ⏏ - 114x144 mm



Included: installation system for gypsum ceiling 9 - 12 - 15 mm

OPTIONAL INSTALLATION KIT

REF N° 261 99 025 installation system for gypsum ceiling 25 mm
 REF N° 261 99 030 installation system for gypsum ceiling 30 mm
 REF N° 200 50 000 clip on lampholder ring, without diffusor
 REF N° 200 50 001 clip on lampholder ring - with frosted diffusor
 REF N° 827 00 000 Concrete box Pixo 50 - Galvanized steel

