

# TECHNICAL DATA SHEET

## MASK 111 LED 1300LM CRI 97

REF N° 240 23 940 Adj. ⚡ on/off 2700K  
 REF N° 240 23 840 Adj. ⚡ on/off 3000K  
 REF N° 240 23 842 Adj. ⚡ on/off Vibrant V930  
 REF N° 240 63 940 Adj. ⚡ DIM 1-10V 2700K  
 REF N° 240 63 840 Adj. ⚡ DIM 1-10V 3000K  
 REF N° 240 63 842 Adj. ⚡ DIM 1-10V Vibrant V930  
 REF N° 240 33 940 Adj. ⚡ DIM DALI 2700K  
 REF N° 240 33 840 Adj. ⚡ DIM DALI 3000K  
 REF N° 240 33 842 Adj. ⚡ DIM DALI Vibrant V930

Xicato LED - 17,6W - 1300 lm @ 70°C  
 □ - 230V/50Hz ⚡ - incl LED driver - 36°  
 ▽ - IP20 (0.5m) - ⚡ CE - 850°C - 2 SDCM  
 h=175 - □ 274x429 mm

## MASK 111 LED 1300LM CRI 80

REF N° 240 23 040 Adj. ⚡ on/off 2700K  
 REF N° 240 23 140 Adj. ⚡ on/off 3000K  
 REF N° 240 23 142 Adj. ⚡ on/off Vibrant V830  
 REF N° 240 63 040 Adj. ⚡ DIM 1-10V 2700K  
 REF N° 240 63 140 Adj. ⚡ DIM 1-10V 3000K  
 REF N° 240 63 142 Adj. ⚡ DIM 1-10V Vibrant V830  
 REF N° 240 33 040 Adj. ⚡ DIM DALI 2700K  
 REF N° 240 33 140 Adj. ⚡ DIM DALI 3000K  
 REF N° 240 33 142 Adj. ⚡ DIM DALI Vibrant V830

Xicato LED - 11,7W - 1300 lm @ 70°C  
 □ - 230V/50Hz ⚡ - incl LED driver - 36°  
 ▽ - IP20 (0.5m) - ⚡ CE - 850°C - 2 SDCM  
 h=175 - □ 274x429 mm

## MASK 111 LED 2000LM CRI 80

REF N° 240 25 040 Adj. ⚡ on/off 2700K  
 REF N° 240 25 140 Adj. ⚡ on/off 3000K  
 REF N° 240 25 142 Adj. ⚡ on/off Vibrant V830  
 REF N° 240 65 040 Adj. ⚡ DIM 1-10V 2700K  
 REF N° 240 65 140 Adj. ⚡ DIM 1-10V 3000K  
 REF N° 240 65 142 Adj. ⚡ DIM 1-10V Vibrant V830  
 REF N° 240 35 040 Adj. ⚡ DIM DALI 2700K  
 REF N° 240 35 140 Adj. ⚡ DIM DALI 3000K  
 REF N° 240 35 142 Adj. ⚡ DIM DALI Vibrant V830

Xicato LED - 19,5W - 2000 lm @ 70°C  
 □ - 230V/50Hz ⚡ - incl LED driver - 36°  
 ▽ - IP20 (0.5m) - ⚡ CE - 850°C - 2 SDCM  
 h=175 - □ 274x429 mm

## MASK 111 AR

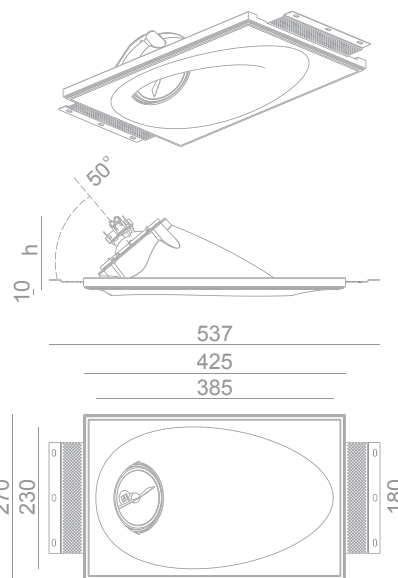
REF N° 240 13 100 Adj. ⚡

QR-LP 111 - 35-50-75-100W  
 G53 - 12V - ⚡ - excl. transfo  
 ▽ - (1.0m) - ⚡ CE - ⚡ - IP20 - 850°C  
 h=119 - □ 274x429 mm

## MASK 111 CDM

REF N° 240 19 070 Adj. ⚡ CDM-TC - G8.5  
 REF N° 240 12 070 Adj. ⚡ CDM-R - GX8.5

35W or 70W - 230V/50Hz - ⚡ - excl. EVG  
 ▽ - (0.5m) - ⚡ CE - ⚡ - IP20 - 850°C  
 h=148 - □ 274x429 mm



Included: installation system for gypsum ceiling 9 - 12 - 15 mm

## OPTIONAL INSTALLATION KIT

REF N° 240 99 025 installation system for gypsum ceiling 25 mm  
 REF N° 240 99 030 installation system for gypsum ceiling 30 mm  
 REF N° 201 00 060 Frosted diffuser for 111 LED series  
 REF N° 840 00 000 Concrete box Mask 111 - Galvanized steel

