

TECHNICAL DATA SHEET

LEVEL R 50 LED 400LM CRI 80 REMOTE DRIVER

REF N° 272 29 040 Adj. ⚡ IP20 2700K
 REF N° 272 29 140 Adj. ⚡ IP20 3000K
 REF N° 272 29 240 Adj. ⚡ IP20 4000K
 REF N° 272 29 041 Fix IP54 BATHROOM 2700K
 REF N° 272 29 141 Fix IP54 BATHROOM 3000K
 REF N° 272 29 241 Fix IP54 BATHROOM 4000K
 REF N° 272 29 045 Fix IP54 OUTDOOR 2700K
 REF N° 272 29 145 Fix IP54 OUTDOOR 3000K
 REF N° 272 29 245 Fix IP54 OUTDOOR 4000K

Xicato LED - 4 W - 380lm @ 70°C
 □ - excl LED driver - 36° - ▽ - ⏏ 0.5m
 ⚡ CE - 850°C - 2 SDCM
 Serial wiring
 Requires remote LED driver @ 350 mA
 Outdoor: Waterproof Calcyt+®
 h=123 - ⏏ Ø 120 mm

LEVEL R 50 HAL

REF N° 272 10 050 Adj. ⚡ IP20
 REF N° 272 10 051 Fix. IP54 BATHROOM
 REF N° 272 10 055 Fix. IP54 OUTDOOR

⚡ QR-CBC 51 - 35W - Gx5.3 - 12V - ⚡ CE
 excl lamp and transfo - ▽ - ⏏ 0.5m - 850°C
 Outdoor: Waterproof Calcyt+® - ⚡
 h=123 - ⏏ Ø 120 mm

REMOTE LED DRIVER ON/OFF

REF N° 697 00 006 8W
 REF N° 697 00 015 15W
 REF N° 697 00 025 25W

230V/50Hz - □ - current controlled
 ▽ - CE - IP20 - 350mA - not dimmable

REMOTE LED DRIVER DIM

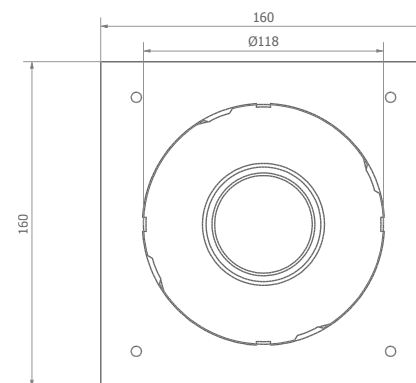
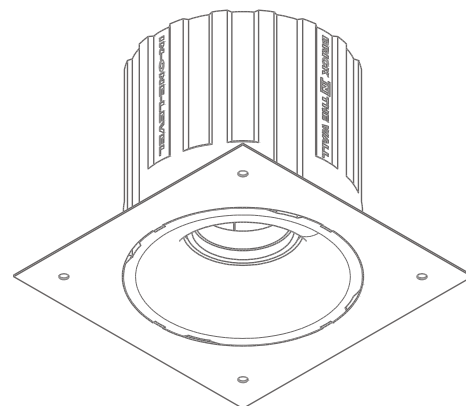
REF N° 697 60 006 6W 1-10V
 REF N° 697 60 015 15W 1-10V
 REF N° 697 30 015 15W DALI
 REF N° 697 60 025 25W 1-10V DALI PUSH
 REF N° 697 60 040 40W 1-10V DALI PUSH
 REF N° 697 70 009 9W PHASE DIM (tr. edge)
 REF N° 697 70 017 17W PHASE DIM

230V/50Hz - □ - current controlled
 ▽ - CE - IP20 - 350mA - dimmable

LEVEL R 50 ES

REF N° 272 11 050 Adj. ⚡ IP20
 REF N° 272 11 051 Fix. IP54 BATHROOM
 REF N° 272 11 055 Fix. IP54 OUTDOOR

⚡ QPAR 16 - 35W - GZ10/GU10 - ⚡ CE
 230V/50Hz - excl. lamp - ▽ - ⏏ 0.5m - 850°C
 Outdoor: Waterproof Calcyt+® - ⚡
 h=123 - ⏏ Ø 120 mm



Included: installation system for concrete ceiling
 height adjustable

OPTIONAL INSTALLATION KIT

REF N° 200 50 000 clip on lampholder ring, without diffuser
 REF N° 200 50 001 clip on lampholder ring - with frosted diffuser