

TECHNICAL DATA SHEET

CANOU XL FLUO

REF N° 242 15 039 on/off
 REF N° 242 18 039 DIM 1-10V
 REF N° 242 30 039 DIM DALI

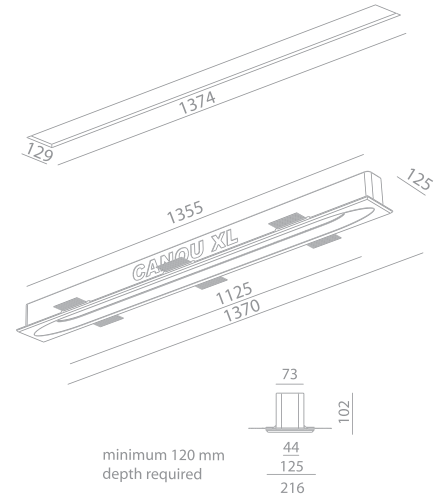
1x T16 - 28/54W
 G5 - 230V/50Hz - incl EVG
 129x1374 mm - 0.5m
 CE - IP20 - 850°C - eco

h=120 - 129x1374 mm

CANOU XL LED 4000 LM

REF N° 242 26 000 on/off 2700°K
 REF N° 242 26 100 on/off 3000°K
 REF N° 242 66 000 DIM 1-10V 2700°K
 REF N° 242 66 100 DIM 1-10V 3000°K
 REF N° 242 36 000 DIM DALI 2700°K
 REF N° 242 36 100 DIM DALI 3000°K

230V/50Hz - 38W - 4000lm@65°C
 4400lm@25°C - E - CE - IP20
 parallel wiring - 0.2m - 850°C
 Integrated line voltage LED driver
 Connects directly to 230 VAC
 4 SDCM - 4 Step MacAdam
 h=120 - 129x1374 mm



Included: installation system for gypsum ceiling 9 - 12 - 15 mm

OPTIONAL INSTALLATION KIT

REF N° 242 99 025 installation system for gypsum ceiling 25 mm
 REF N° 242 99 030 installation system for gypsum ceiling 30 mm
 REF N° 242 00 001 Prisma cover Canou XL
 REF N° 842 00 000 Concrete box Canou XL - Galvanized steel

