

# TECHNICAL DATA SHEET

## BEAMMEUP SQUARE 50 LED 700LM CRI 80 REMOTE DRIVER

REF N° 281 29 040 Adj. ⚡ 2700K  
REF N° 281 29 140 Adj. ⚡ 3000K  
REF N° 281 29 142 Adj. ⚡ Vibrant V830  
REF N° 281 29 240 Adj. ⚡ 4000K

Xicato LED - 8,3 W - 720lm @ 70°C  
☐ - excl LED driver - IP20  
requires remote led driver @ 700 mA  
36° - ▽ - (0.5m) - ⚡ - 850°C - 2 SDCM  
Surface mounted

## BEAMMEUP SQUARE 50 LED 500LM CRI 97 REMOTE DRIVER

REF N° 281 29 940 Adj. ⚡ 2700K  
REF N° 281 29 840 Adj. ⚡ 3000K  
REF N° 281 29 842 Adj. ⚡ Vibrant V930  
REF N° 281 29 740 Adj. ⚡ 4000K

Xicato LED - 8,5 W - 500lm @ 70°C  
☐ - exclusive LED driver  
requires remote led driver @ 350 mA  
36° - ▽ - (0.5m) - ⚡ - 850°C - 2 SDCM  
Surface mounted

## REMOTE LED DRIVER ON/OFF

REF N° 697 00 025 25W

230V/50Hz - ☐ - current controlled  
▽ - ⚡ - IP20 - 350/700mA - not dimmable

## REMOTE LED DRIVER DIM

REF N° 697 60 025 25W 1-10V DALI PUSH  
REF N° 697 60 040 40W 1-10V DALI PUSH  
REF N° 697 70 017 17W PHASE DIM

230V/50Hz - ☐ - current controlled  
▽ - ⚡ - IP20 - 350/700mA - dimmable

## BEAMMEUP SQUARE 50 HAL

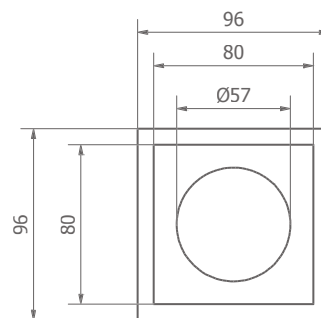
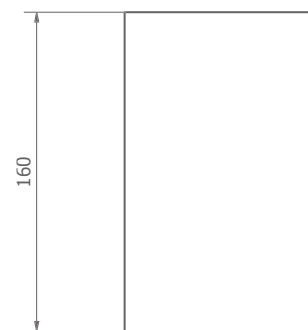
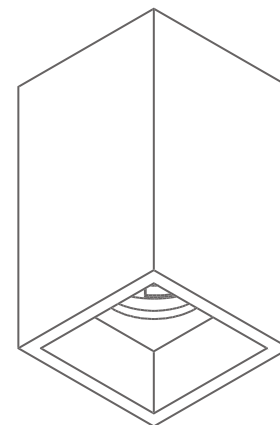
REF N° 281 10 050 Adj. ⚡ IP20

⚡ QR-CBC 51 - 50W - Gx5.3 - 12V - ⚡  
excl lamp and transfo - ▽ - (0.5m) - 850°C  
⚡ - Surface mounted

## BEAMMEUP SQUARE 50 ES

REF N° 281 11 050 Adj. ⚡ IP20

⚡ QPAR 16 - 50W - GZ10/GU10 - ⚡  
230V/50Hz - excl. lamp - ▽ - (0.5m) - 850°C  
⚡ - Surface mounted



Surface mounted

## OPTIONAL INSTALLATION KIT

REF N° 200 50 000 clip on lampholder ring, without diffuser

REF N° 200 50 001 clip on lampholder ring - with frosted diffuser