

TECHNICAL DATA SHEET

BEAMMEUP SQUARE 30 LED 450LM CRI 97 REMOTE DRIVER

REF N° 280 29 930 excl. LED driver CRI 97 2700°K

REF N° 280 29 830 excl. LED driver CRI 97 3000°K

6,5W - excl. LED driver - 32° beam angle
450lm@85°C - 500lm@25°C - **E** - **CE** - IP20
serial wiring ▽ - (0.2m) - 850°C (P) □
Requires remote LED driver - 2 SDCM
Surface mounted

BEAMMEUP SQUARE 30 LED 600LM REMOTE DRIVER

REF N° 280 29 530 excl. LED driver CRI 80 2200°K

REF N° 280 29 030 excl. LED driver CRI 90 2700°K

REF N° 280 29 130 excl. LED driver CRI 90 3000°K

6,5W - excl. LED driver - 32° beam angle
600lm@85°C - 700lm@25°C - **E** - **CE** - IP20
serial wiring ▽ - (0.2m) - 850°C (P) □
Requires remote LED driver - 2 SDCM
Surface mounted

BEAMMEUP SQUARE 30 LED 150LM REAL SPOT REMOTE DRIVER

REF N° 280 29 510 excl. LED driver CRI 80 2200°K

REF N° 280 29 010 excl. LED driver CRI 90 2700°K

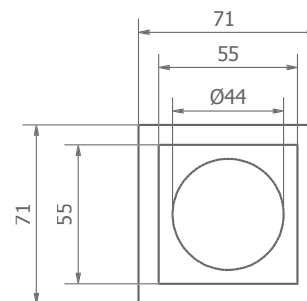
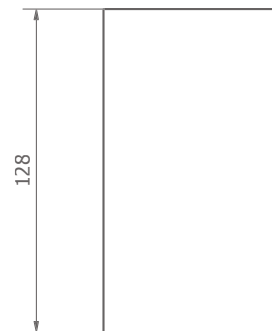
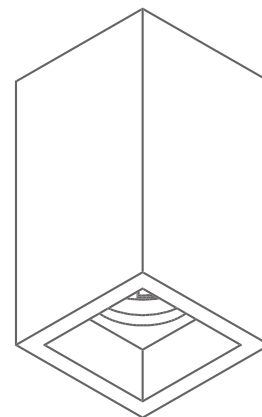
REF N° 280 29 110 excl. LED driver CRI 90 3000°K

2W - excl. LED driver - 5° beam angle
140lm@85°C - 160lm@25°C - **E** - **CE** - IP20
serial wiring ▽ - (0.2m) - 850°C (P) □
Requires remote LED driver - 3 SDCM
Surface mounted

REMOTE LED DRIVER DIM

REF N° 697 60 040 DIM 1-10V DALI PUSH 30W

230V/50Hz - □ - current controlled
▽ - **CE** - IP20 - 250mA/350mA



Surface mounted

OPTIONAL INSTALLATION KIT

REF N° 204 30 040 alternative lens for 30 series - beam angle 40°

REF N° 204 30 050 alternative lens for 30 series - beam angle 50°