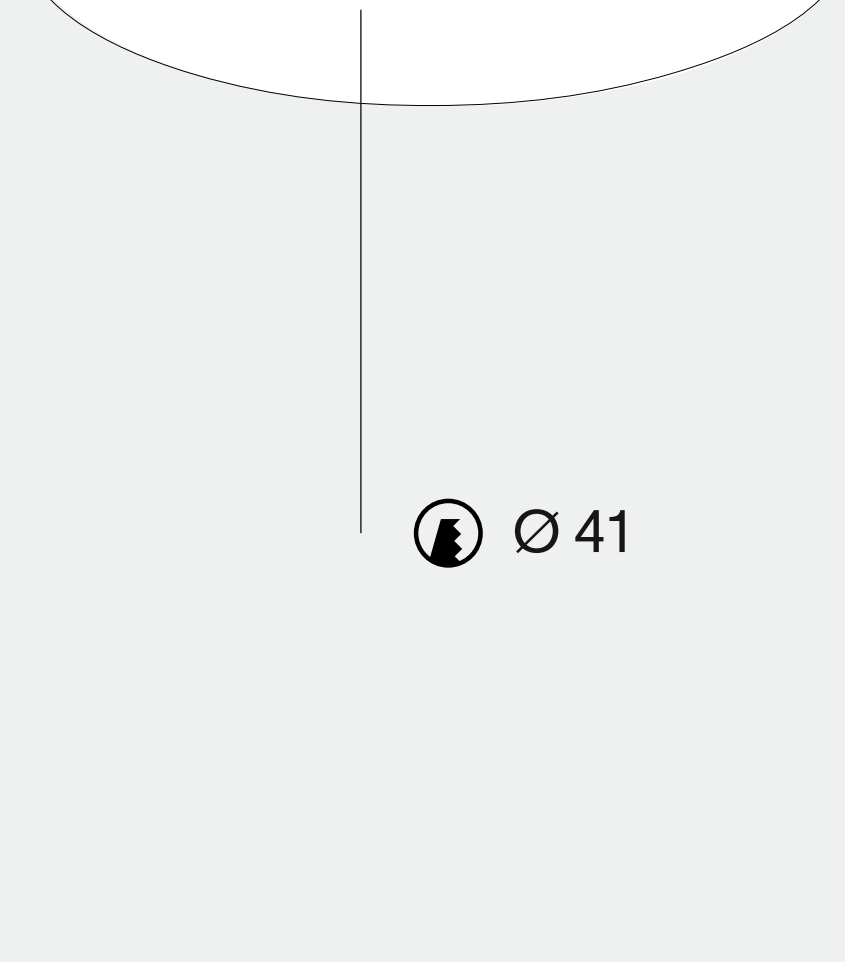


acrobat micro trim

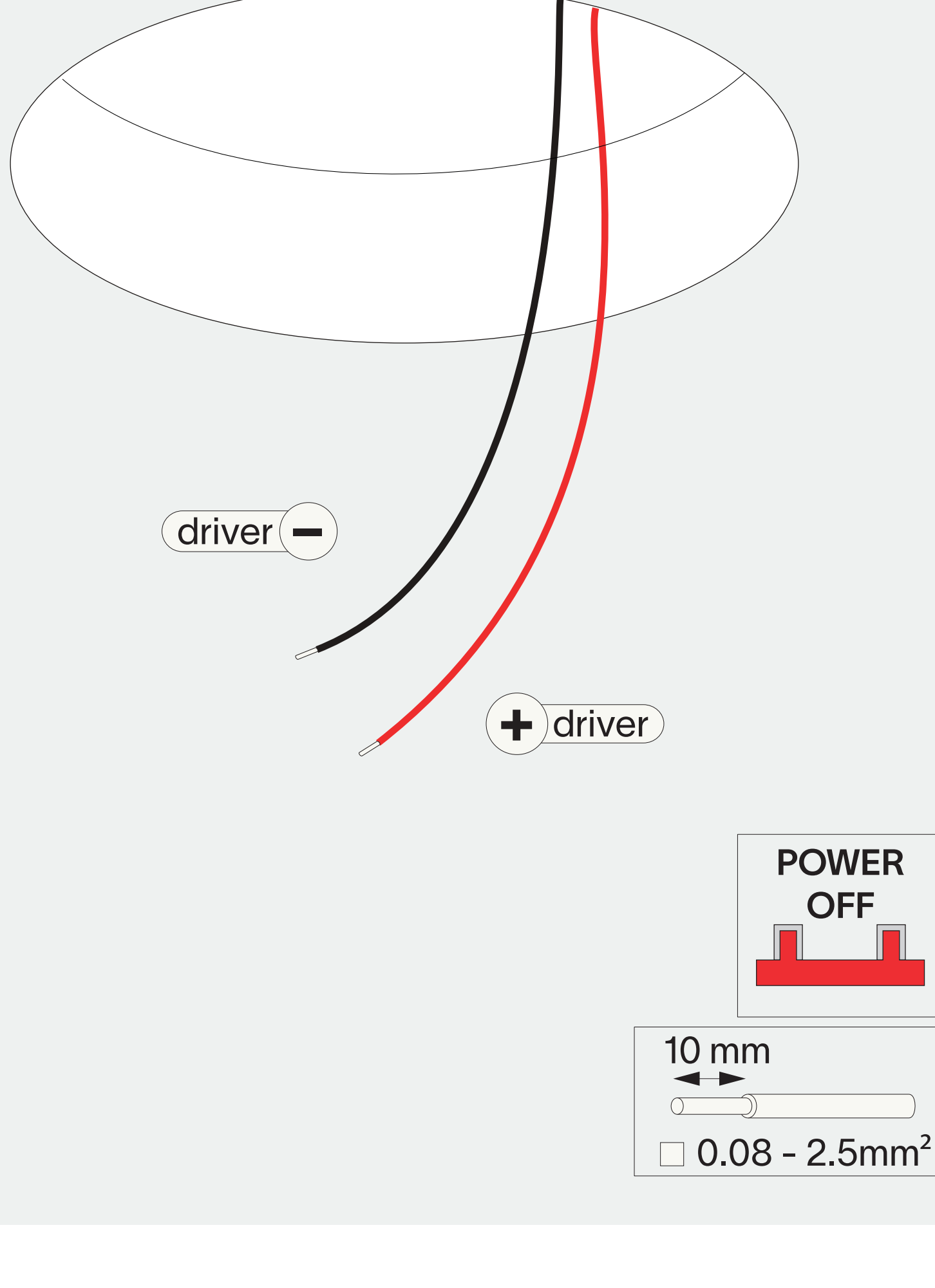
installation instruction

1



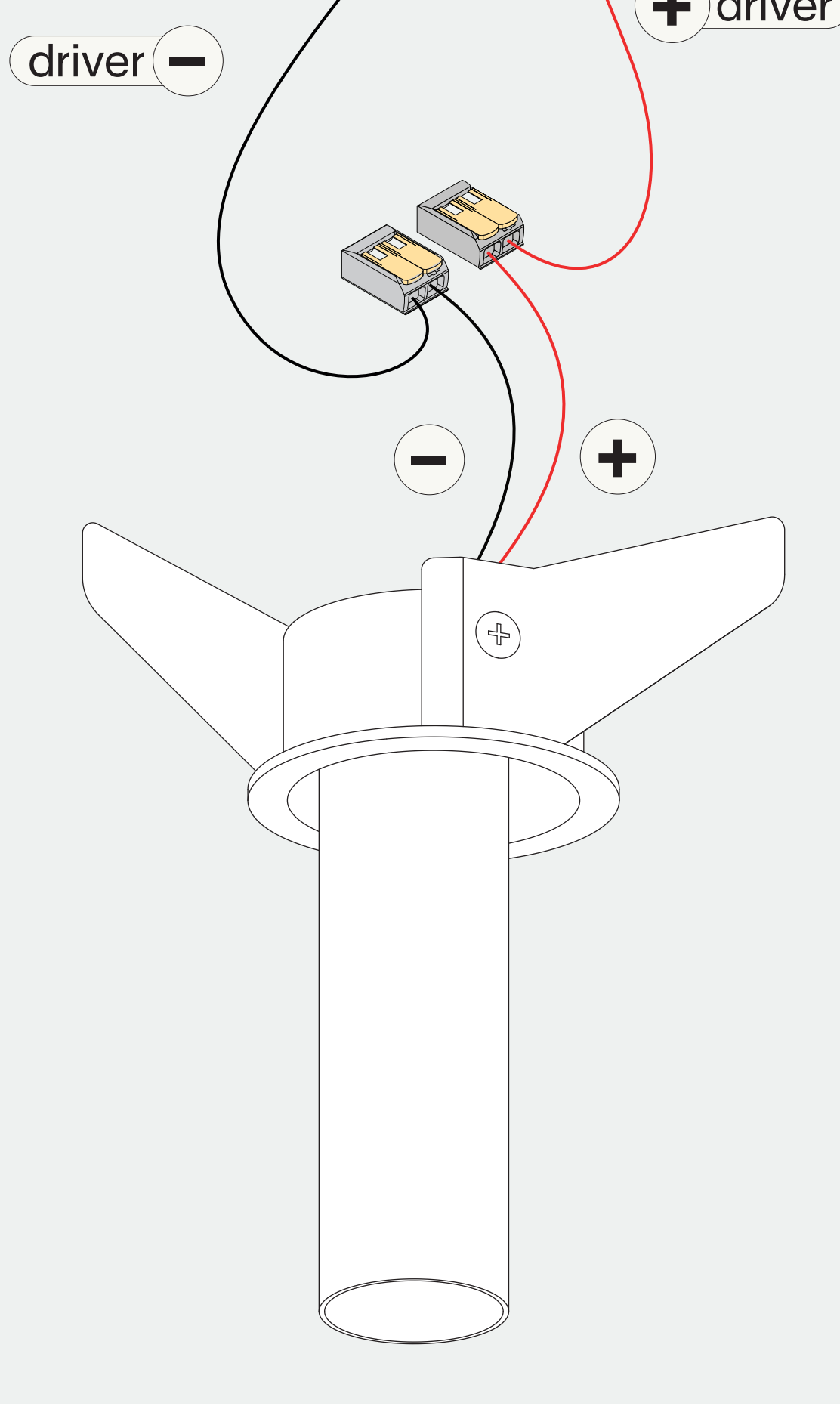
Cut a round hole (Ø 41). Consult the chosen luminaire tech specs for required height and free air dimensions.

2



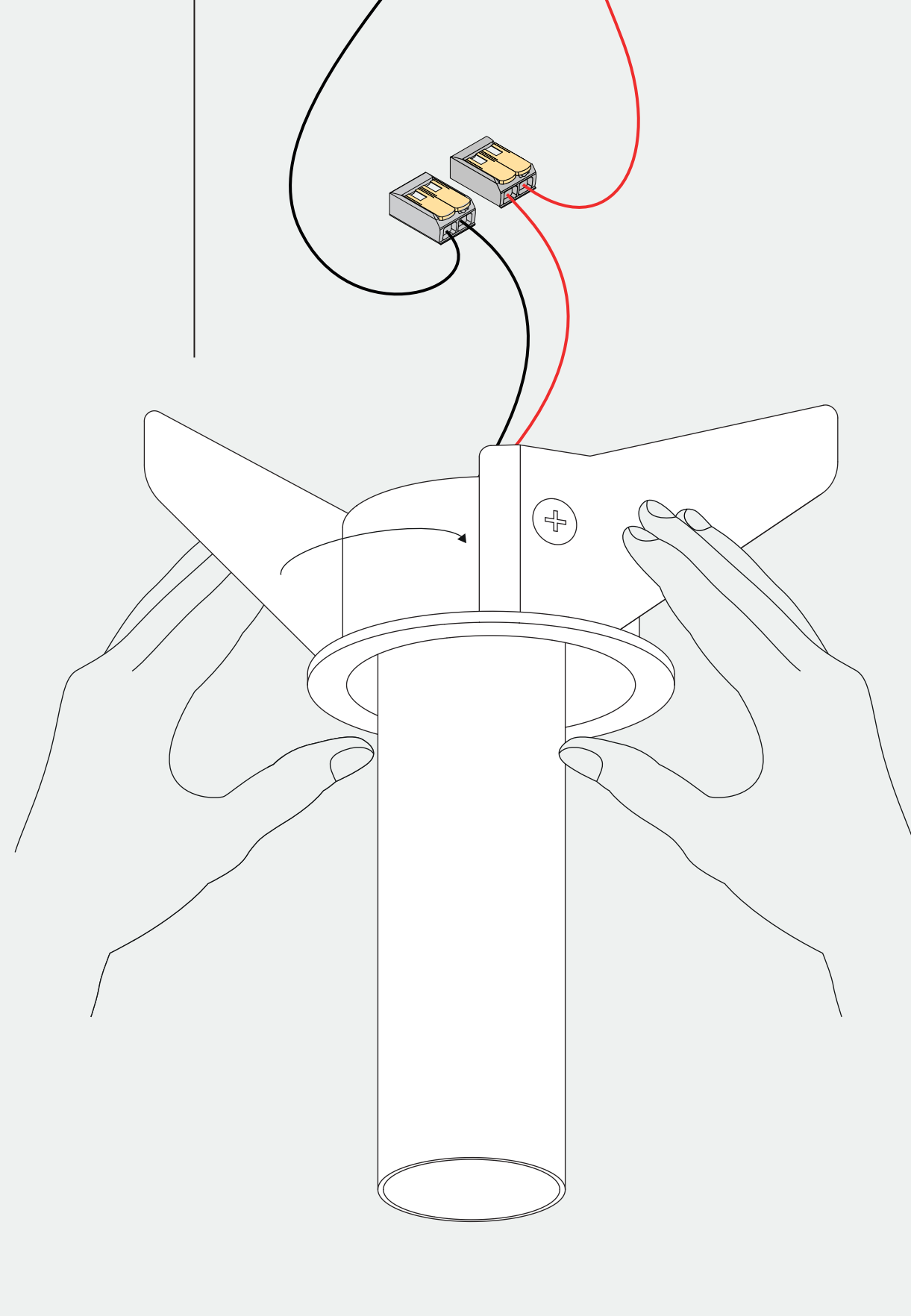
turn the power off - driver location remote

3



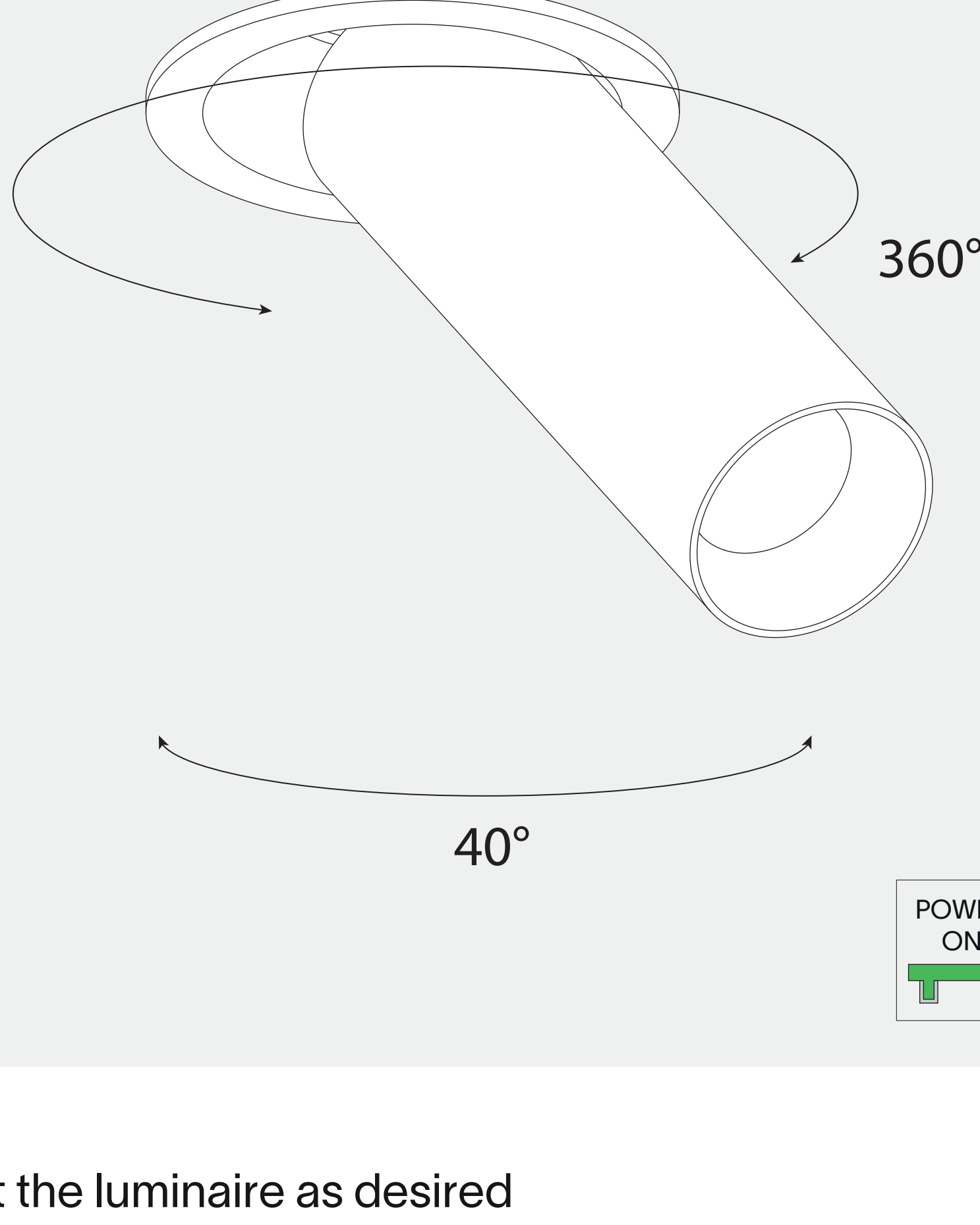
connect the wires with wago connectors for serial connection, respect polarity combine with a prado LED-driver

4



bend over the springs and push the luminaire into the ceiling

5



twist the luminaire as desired

thank you for choosing prado



Replace lens when broken.
Luminaire shall only be used together with its lens.