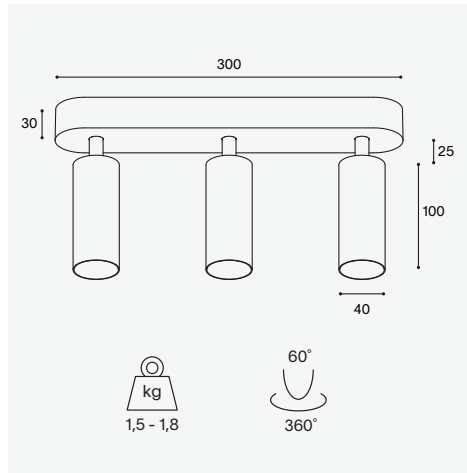


## acrobat surface duo / trio



## light specs

lamp	LED
optic	lens
driver	integrated (dali + push dim)
CRI	90+ / 97
IP	20

ceiling base dimensions 300 x 50 x 30 (l x w x h)

luminaire dimensions 40 x 60 (short) / 40 x 100 (long)

input voltage 230V

application ceiling indoor

class I

## output / luminaire

	mini short				mini long			
	2700K		3000K		2700K		3000K	
	20°	40°	20°	40°	20°	40°	20°	40°
350mA (5.7W)	525 lm	-	550 lm	-	-	-	-	-
500mA (8.5W)	-	710 lm	-	750 lm	710 lm	-	750 lm	-
700mA (12.8W)	-	-	-	-	-	950 lm	-	1000 lm

## order number

	mini short				mini long			
	2700K		3000K		2700K		3000K	
	20°	40°	20°	40°	20°	40°	20°	40°
duo black	8000-2906	8000-2874	8000-2914	8000-2882	8000-2904	8000-2872	8000-2912	8000-2880
duo white	8000-2910	8000-2878	8000-2918	8000-2886	8000-2908	8000-2876	8000-2916	8000-2884
trio black	8000-2907	8000-2875	8000-2915	8000-2883	8000-2905	8000-2873	8000-2913	8000-2881
trio white	8000-2911	8000-2879	8000-2919	8000-2887	8000-2909	8000-2877	8000-2917	8000-2885