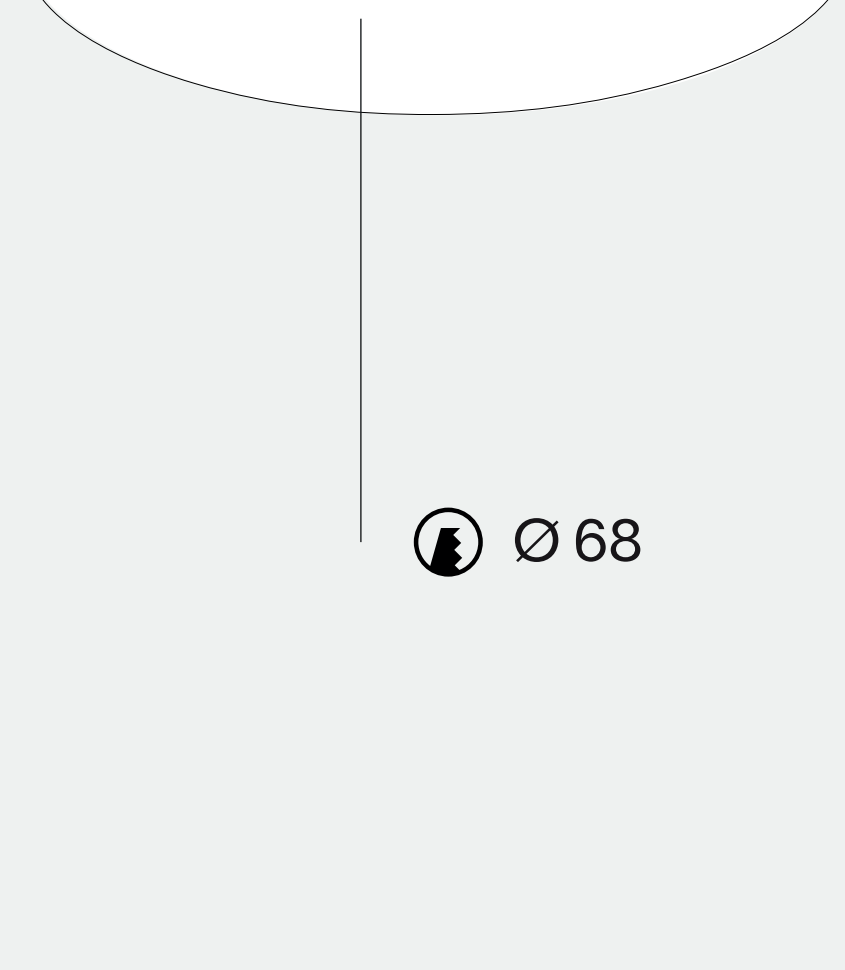


trim spot

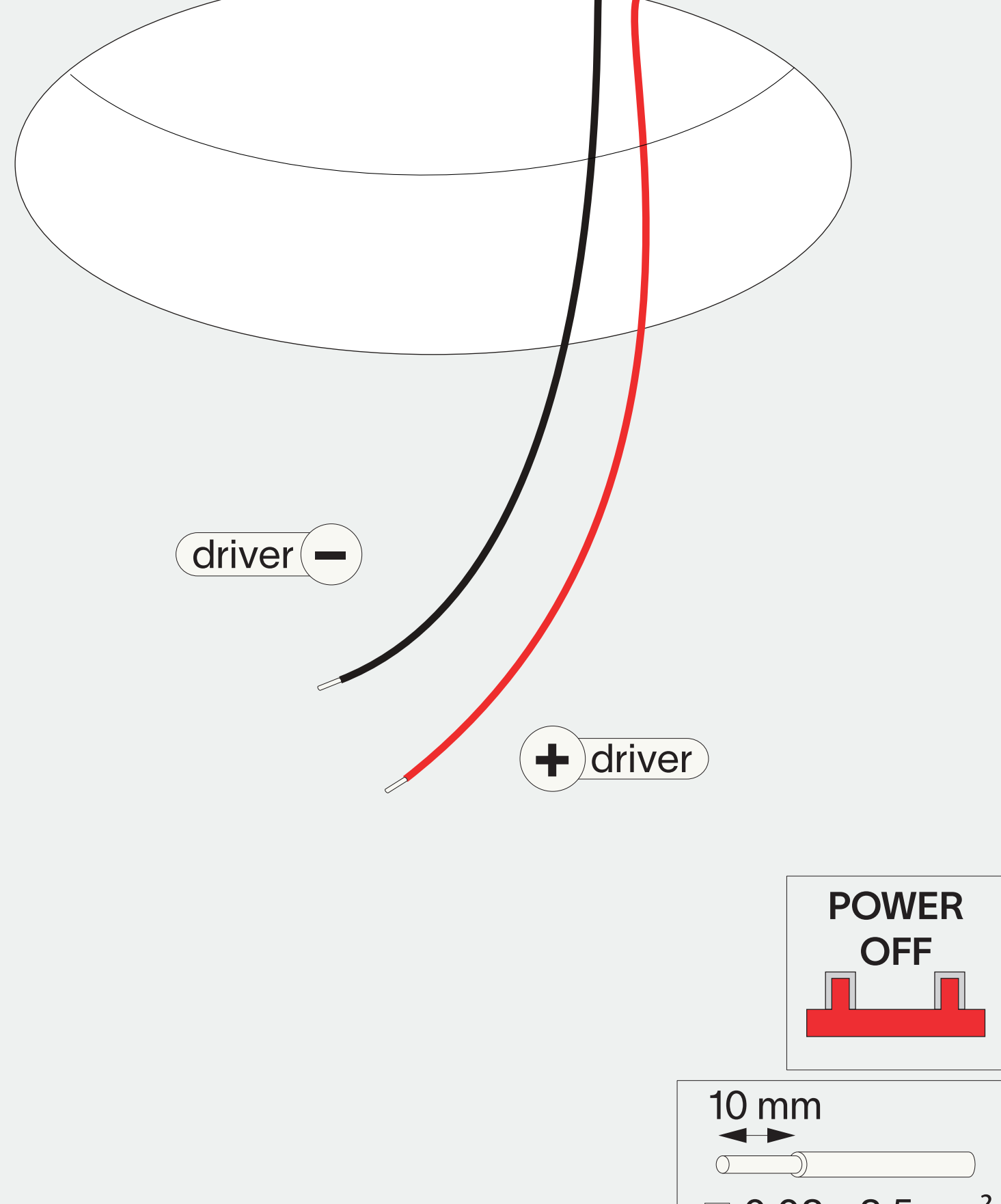
installation instruction

1



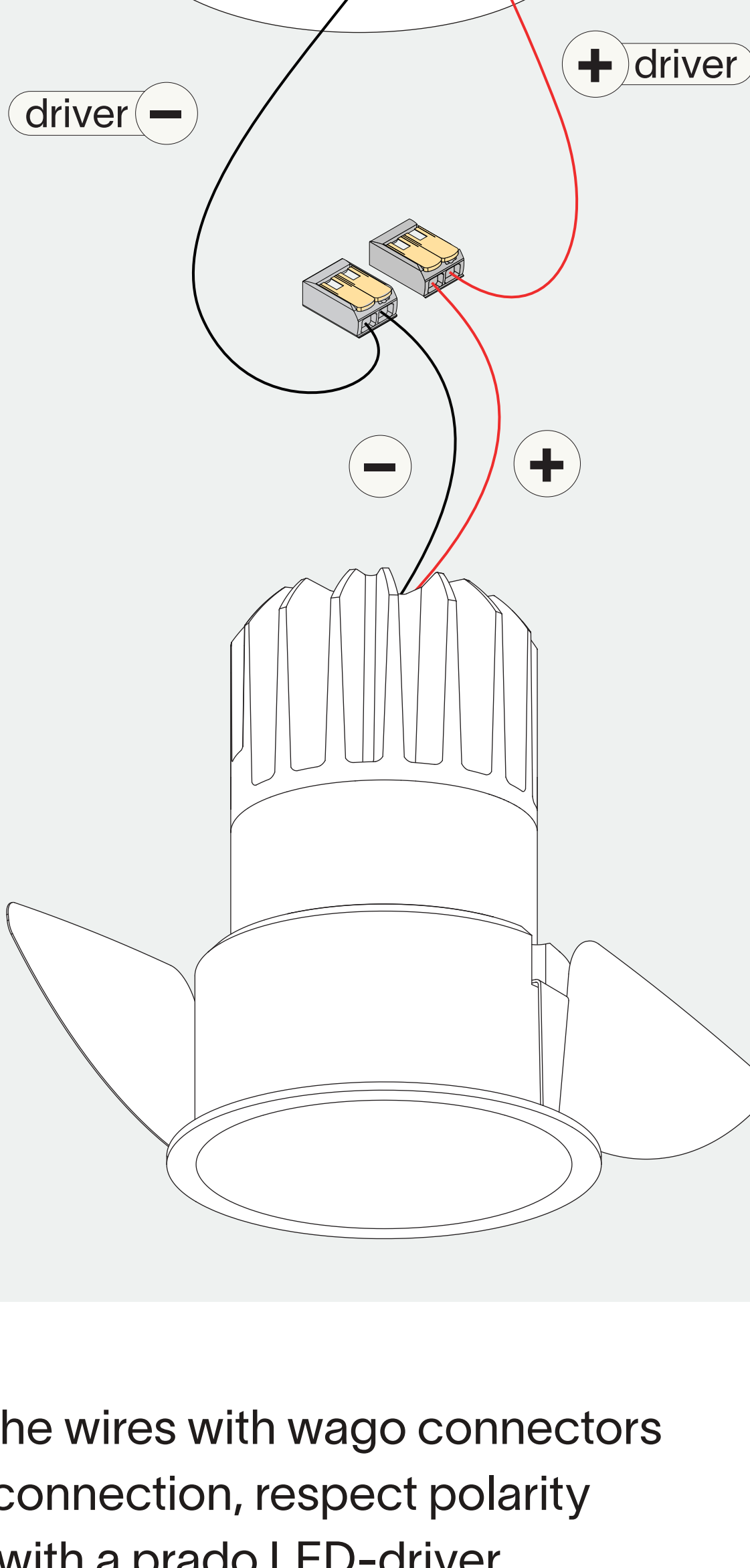
Cut a round hole (Ø 68). Consult the chosen luminaire tech specs for required height and free air dimensions.

2



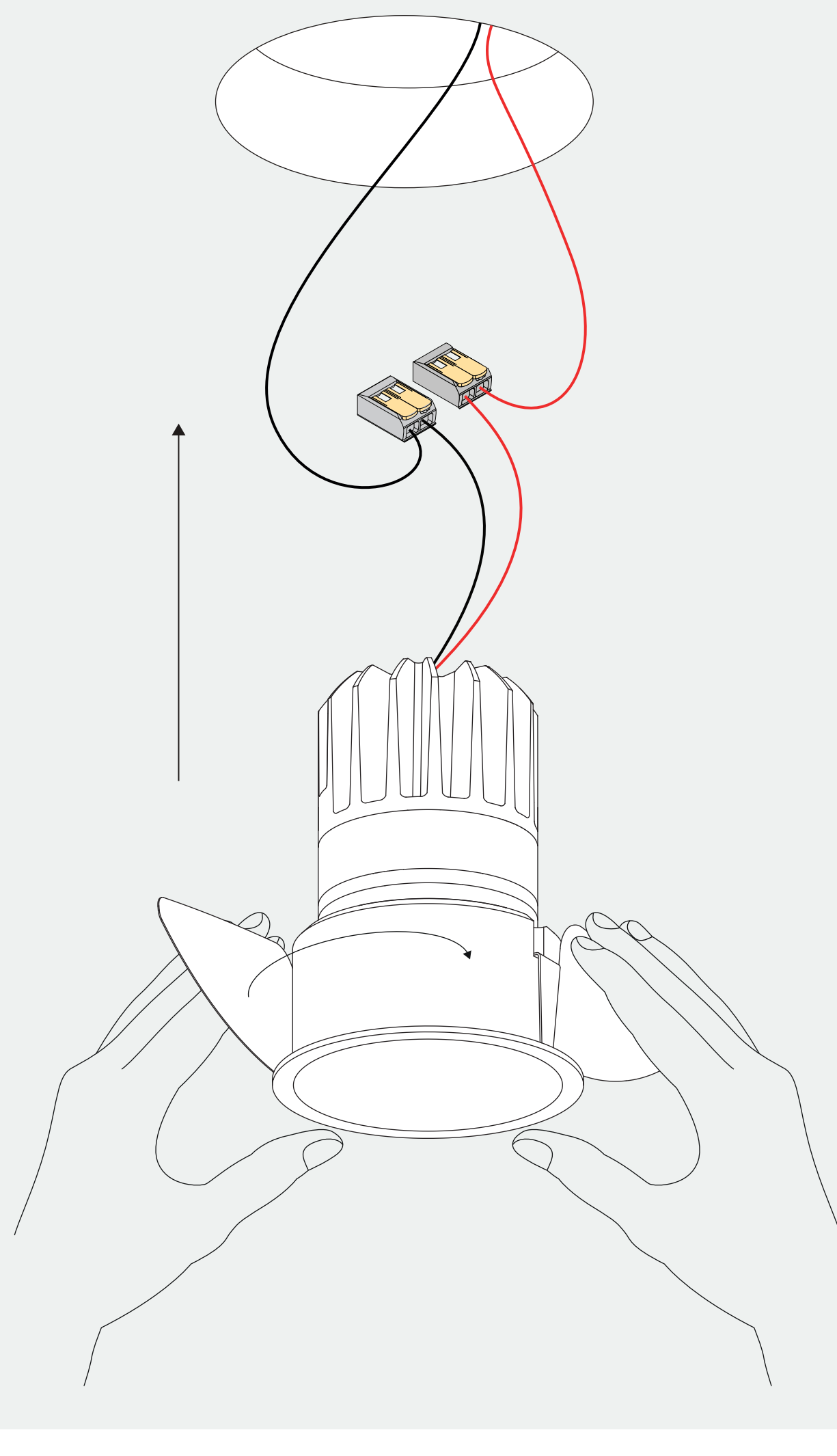
constant current (mA)	typical forward voltage (V)	typical power (W)
350	16,9	5,9
500	17,4	8,7
700	18,2	12,7

3



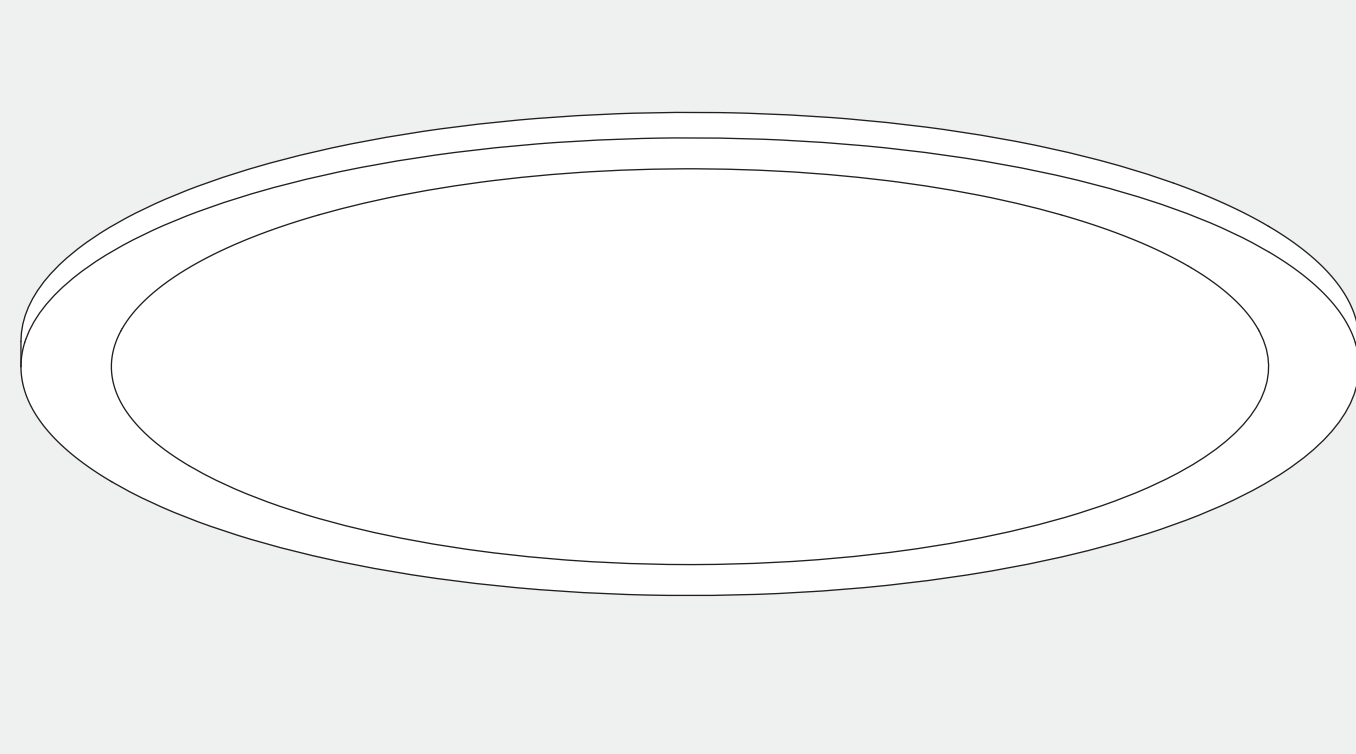
connect the wires with wago connectors for serial connection, respect polarity combine with a prado LED-driver

4

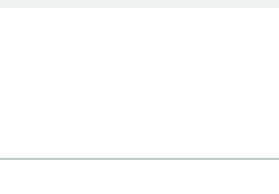


bend over the springs and push the luminaire into the ceiling

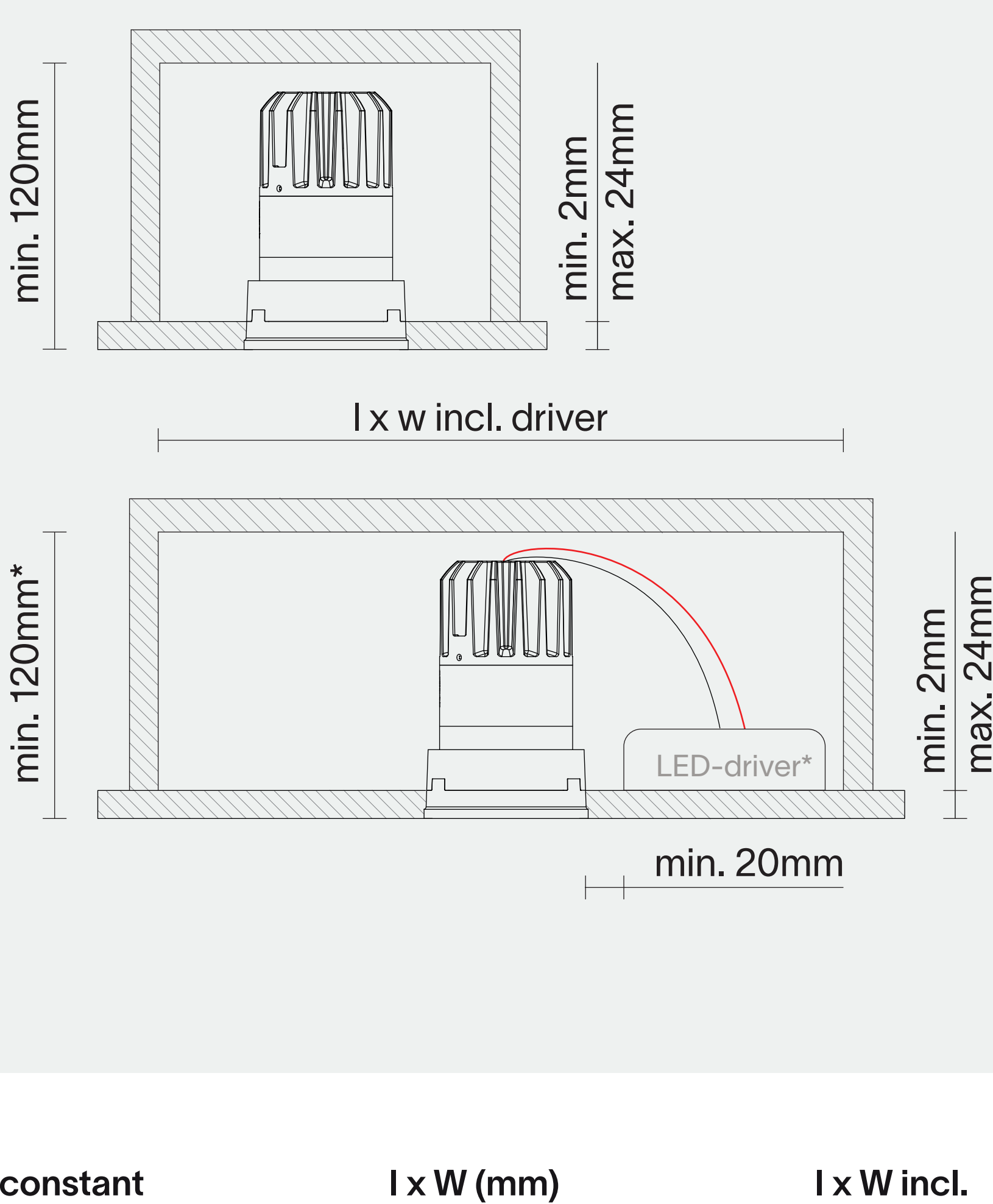
5



POWER ON



recommended free air dimensions



constant current (mA)	l x W (mm)	l x W incl. driver (mm)
500	100 x 100	200 x 200
700	200 x 200	250 x 250

thank you for choosing prado

