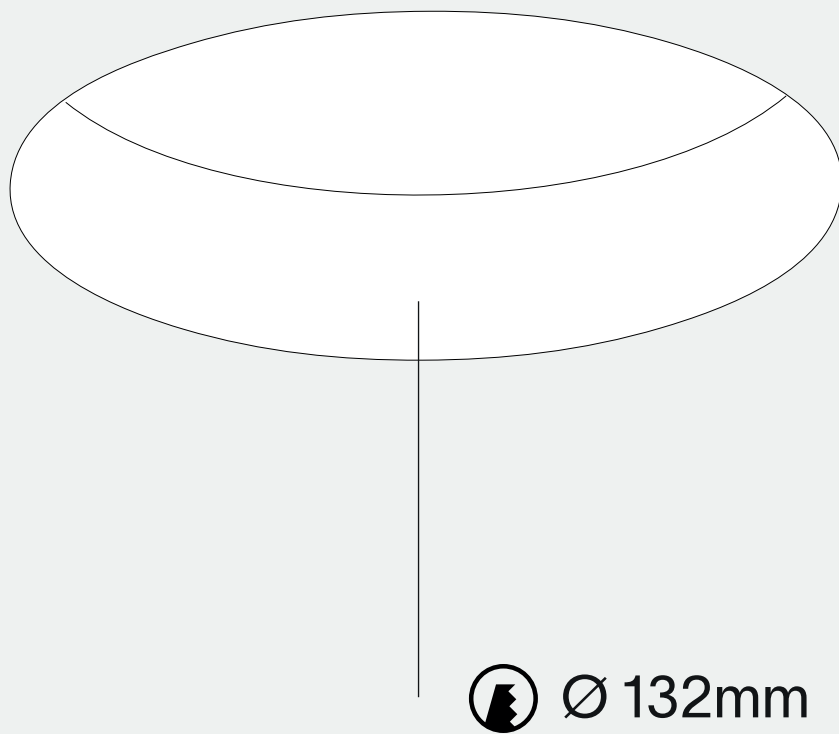


# light + ventilation | trim long

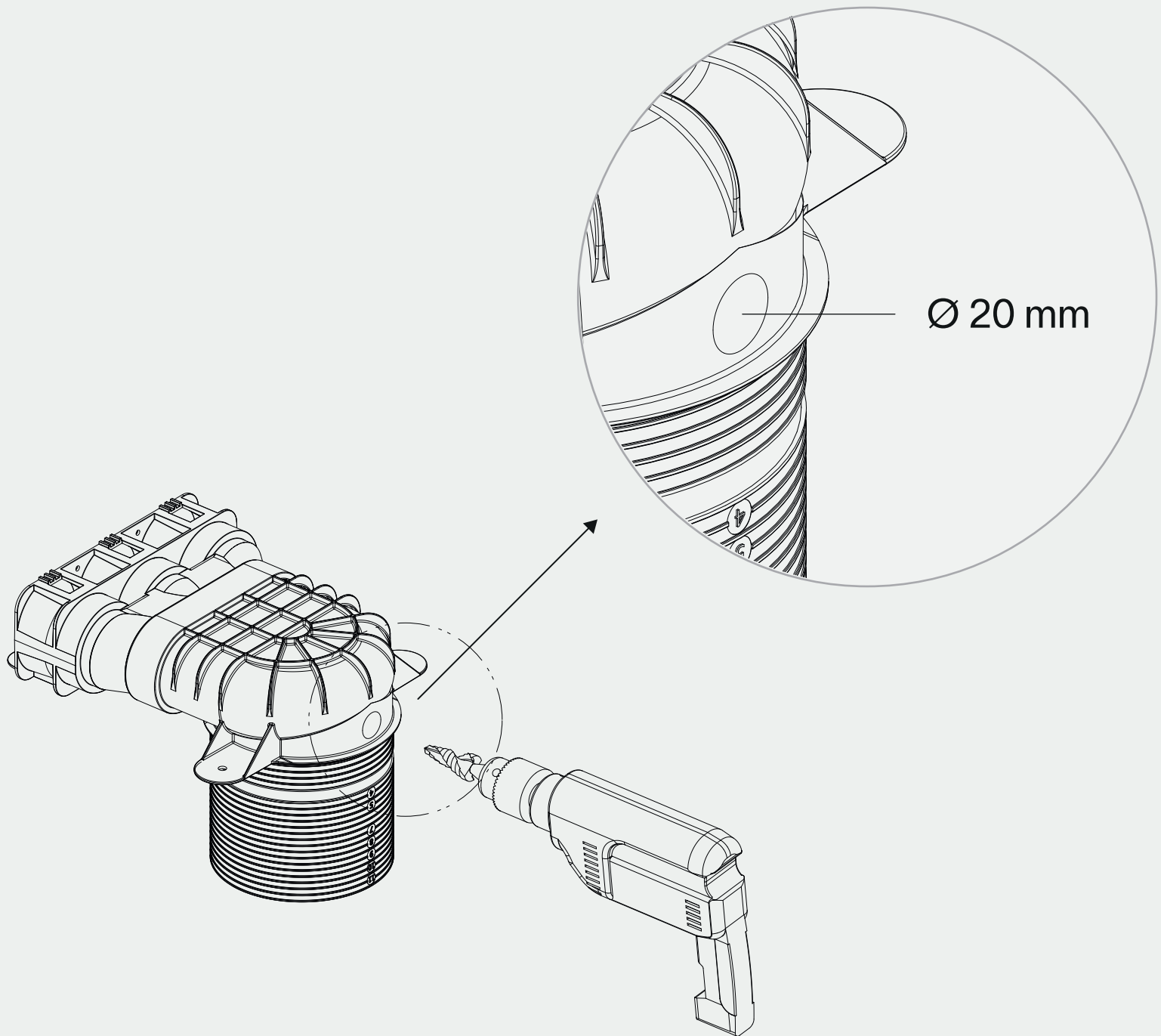
## installation instruction

1



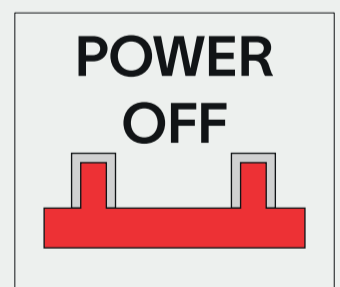
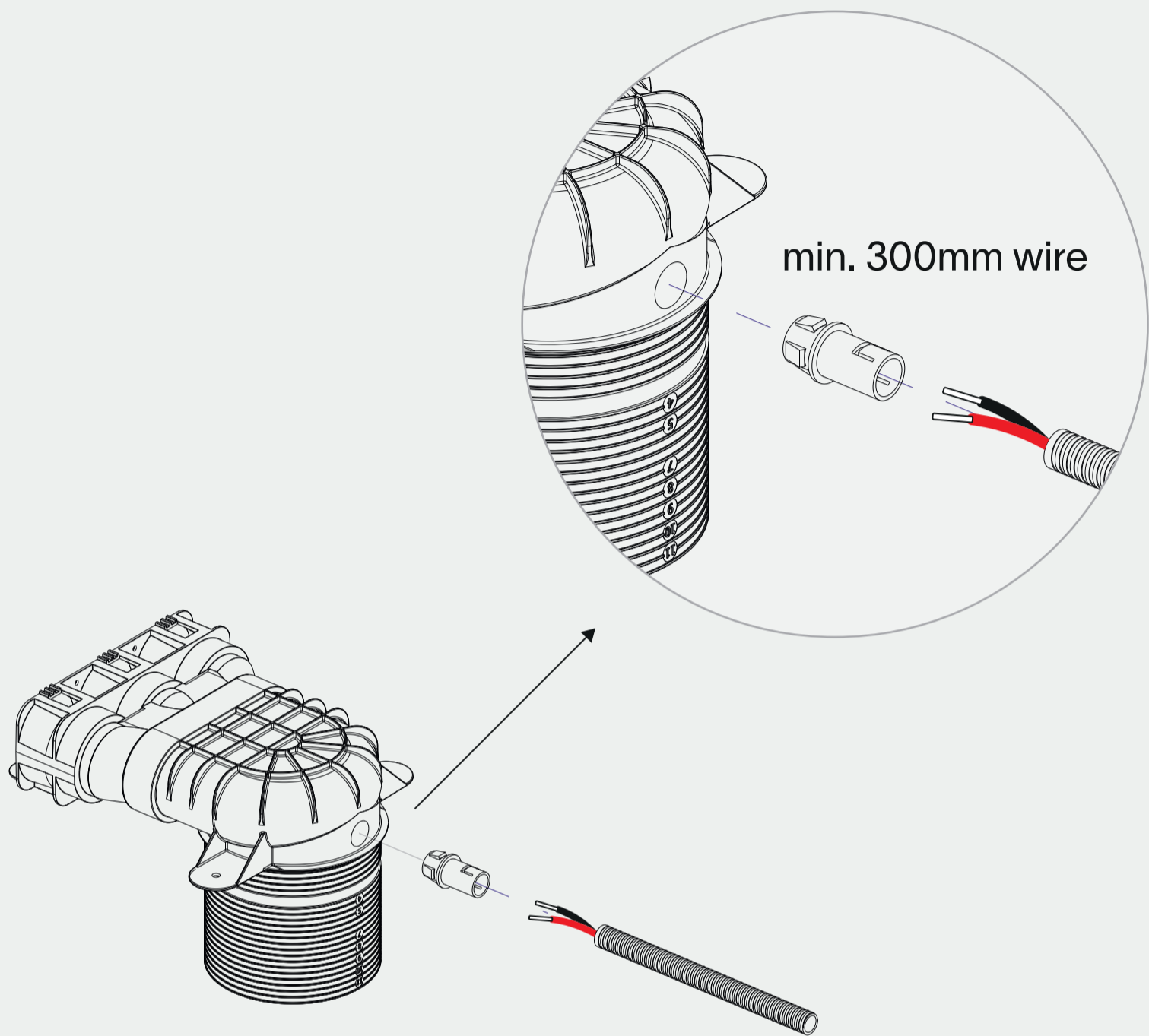
cut a round hole (Ø 132 h 85)

2



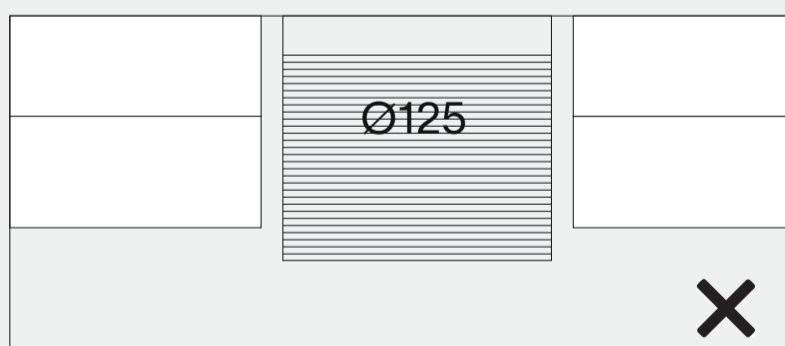
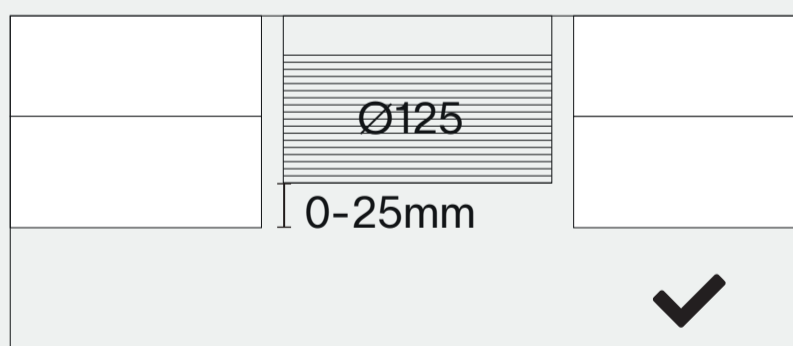
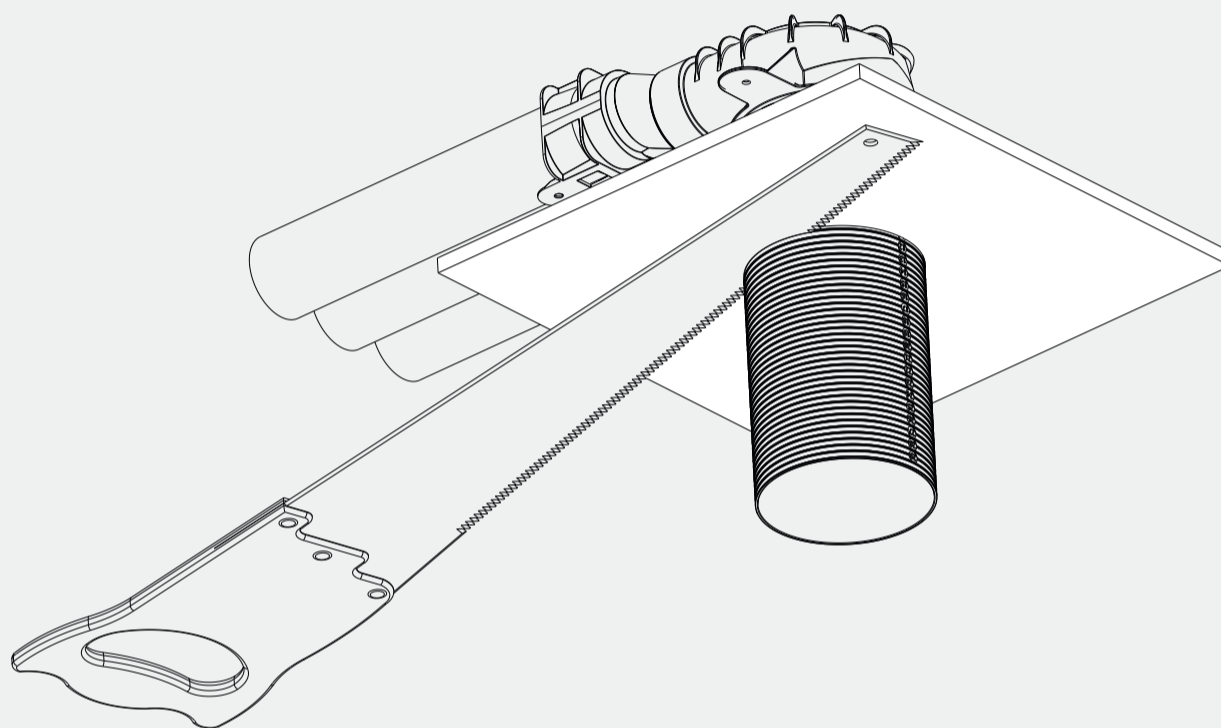
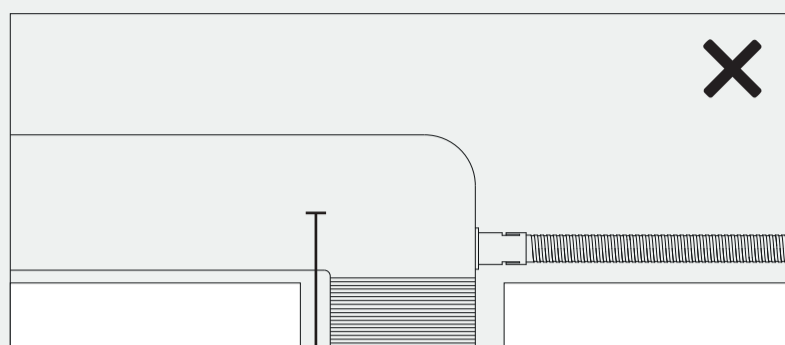
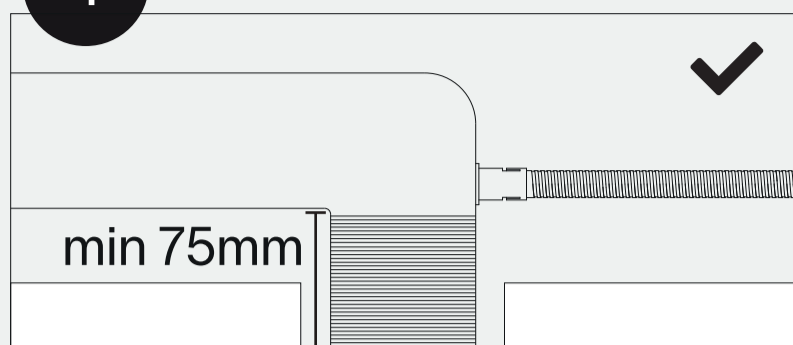
Use a step drill to cut a  $\text{Ø}20$  hole into the  $\text{Ø}125$  valve adapter of your choice. A hole can be drilled in any type or brand of  $\text{Ø}125$  valve adapter.

3



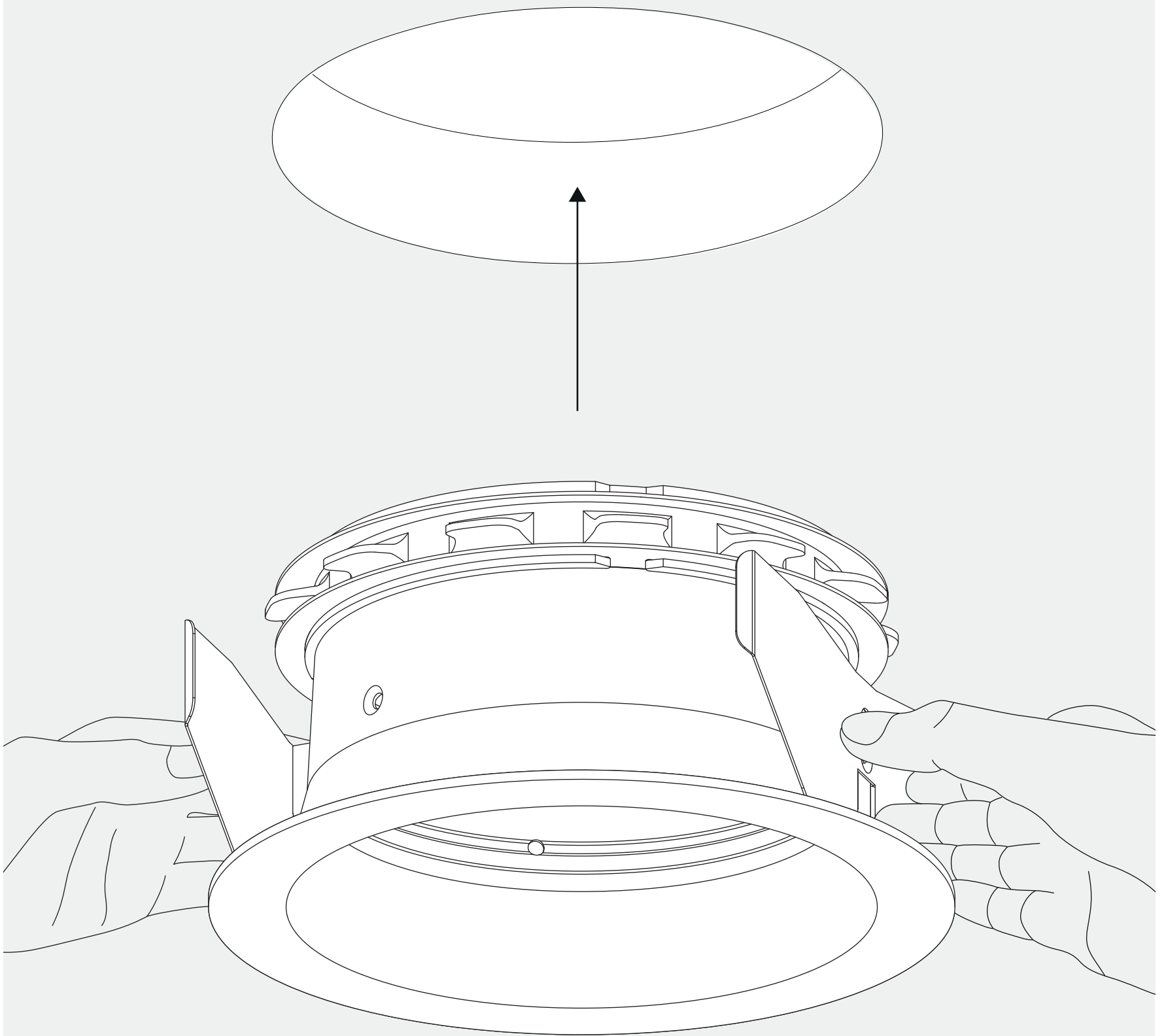
Connect the Ø16 preflex and the valve adapter with the prado connector. Make sure to add minimal 300mm of wire into the valve adapter. Driver must be placed remotely to remain accessible.

4



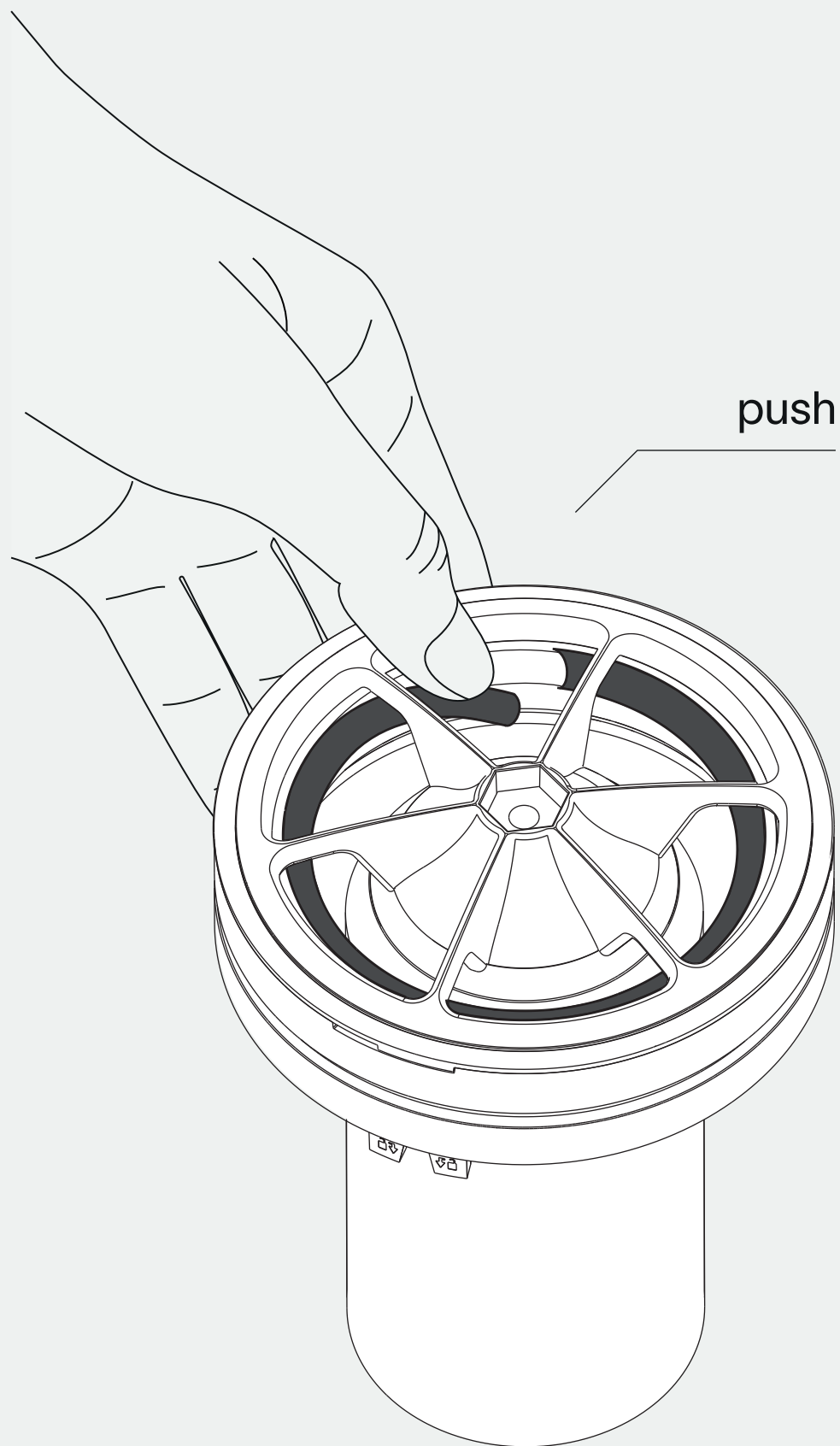
Cut off the excess length of the valve adapter.  
 (between 0 and 25 mm above final ceiling level)  
 The remaining vertical part of the adapter (before the start of the turn) must be at least 75 mm high for the plaster ring (connector can't be placed in this zone).

5



Insert the holder

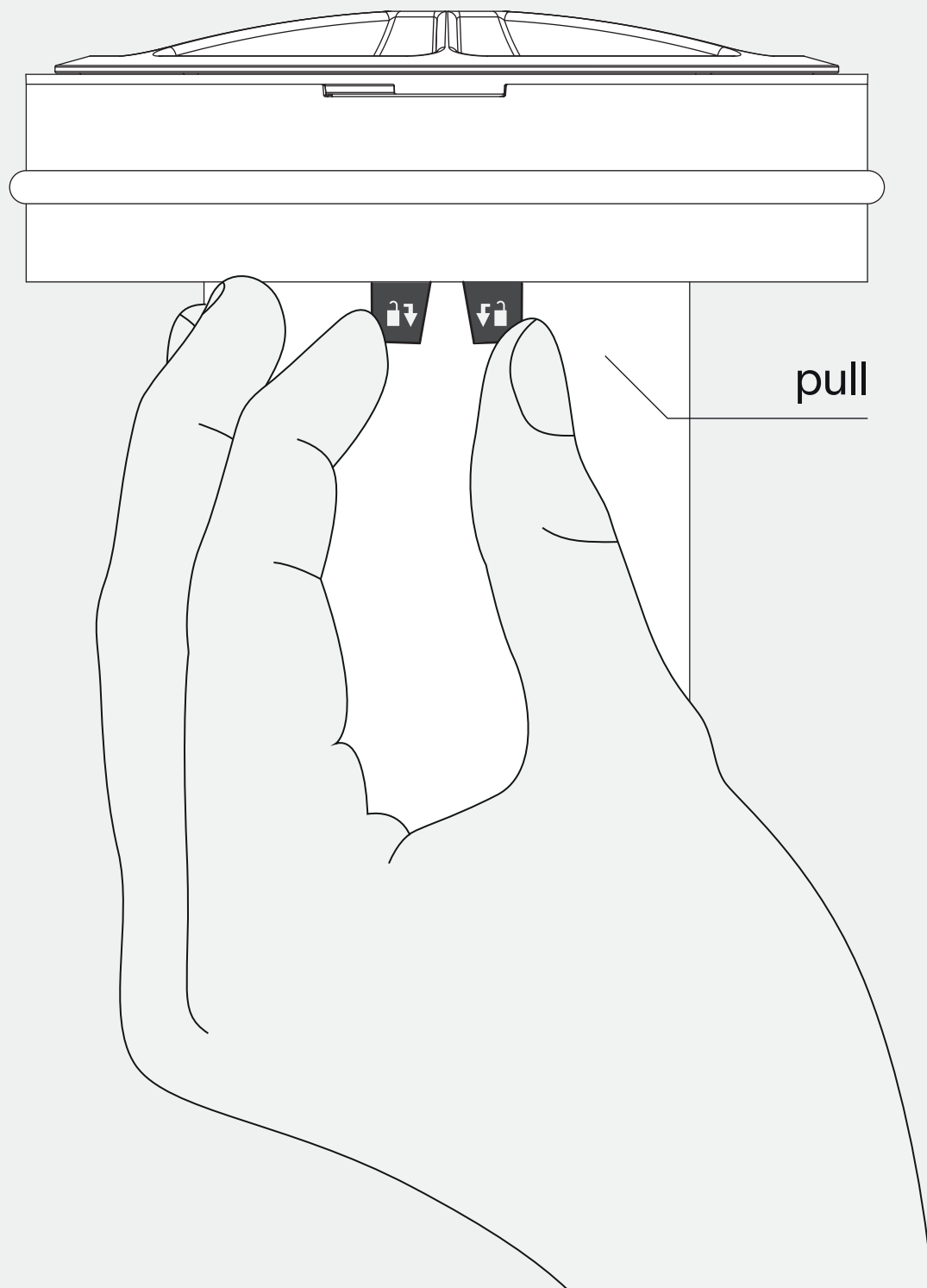
6



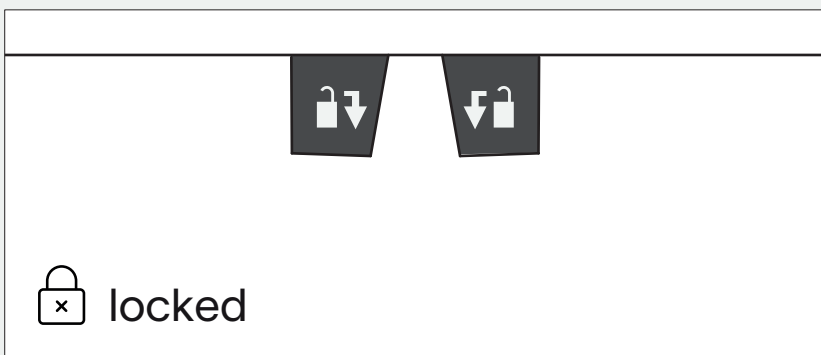
if  $50\text{m}^3/\text{h}$  is required  
remove the  $25\text{m}^3/\text{h}$  ring like shown above

if  $25\text{m}^3/\text{h}$  is required  
do not remove the  $25\text{m}^3/\text{h}$  ring like shown above

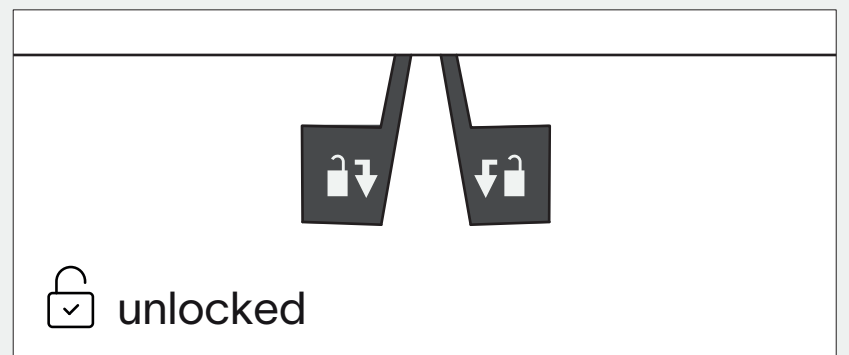
7



pull

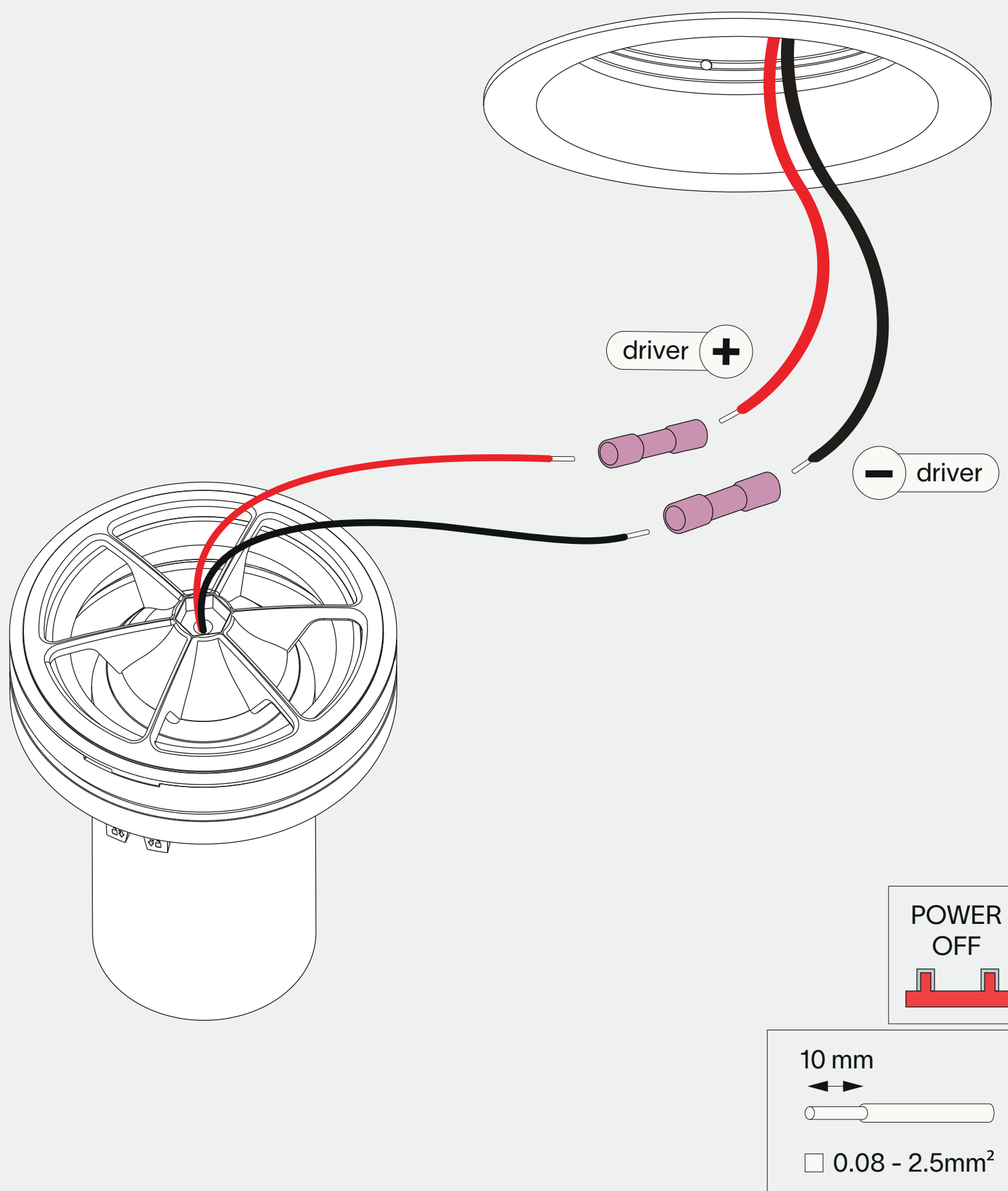


locked



unlocked

gently pull the lock out before adjusting the air flow



**constant  
current (mA)**

**typical forward  
voltage (V)**

**typical  
power (W)**

350

16,9

5,9

500

17,4

8,7

700

18,2

12,7

850

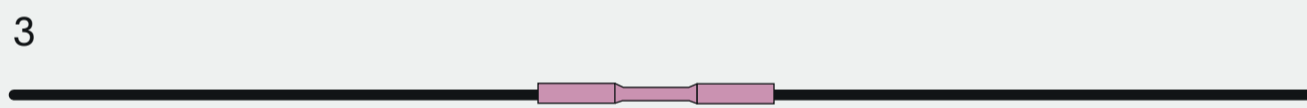
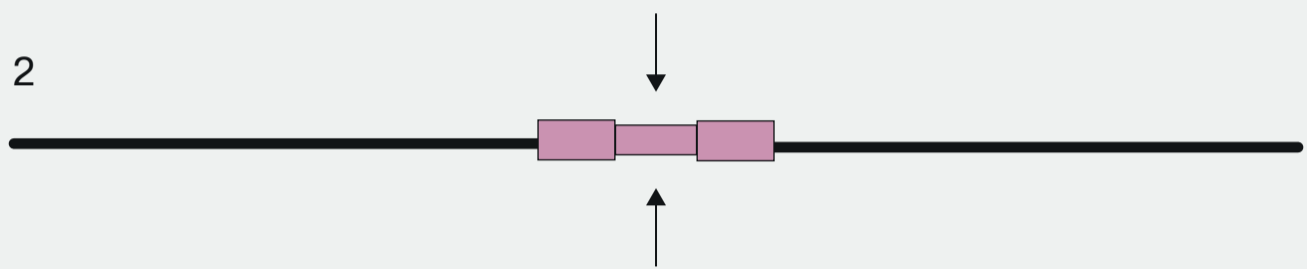
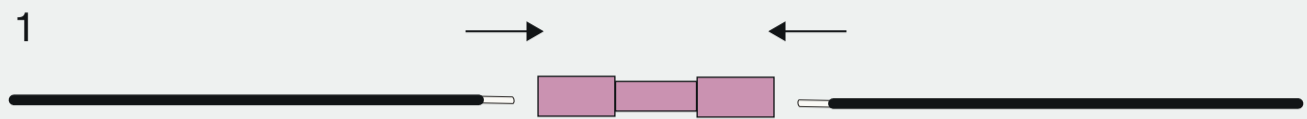
18,5

15,7

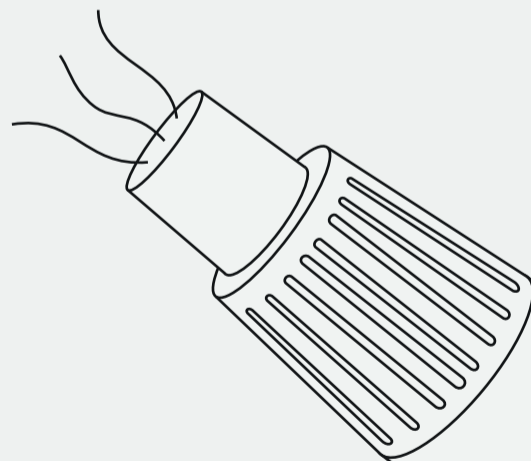
connect the wires with waterproof connectors  
for serial connection, respect polarity  
combine with prado LED-driver



9

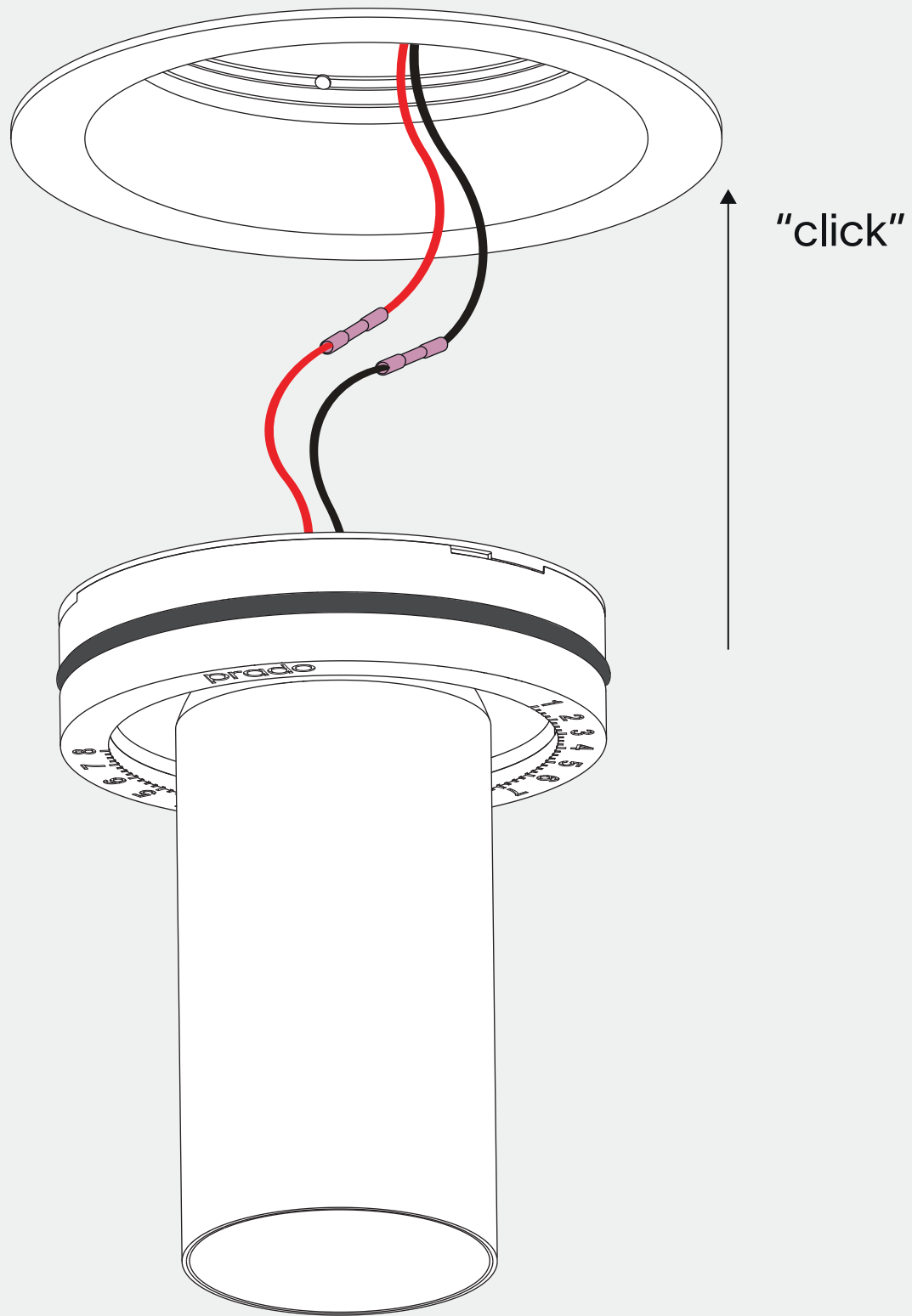


heat

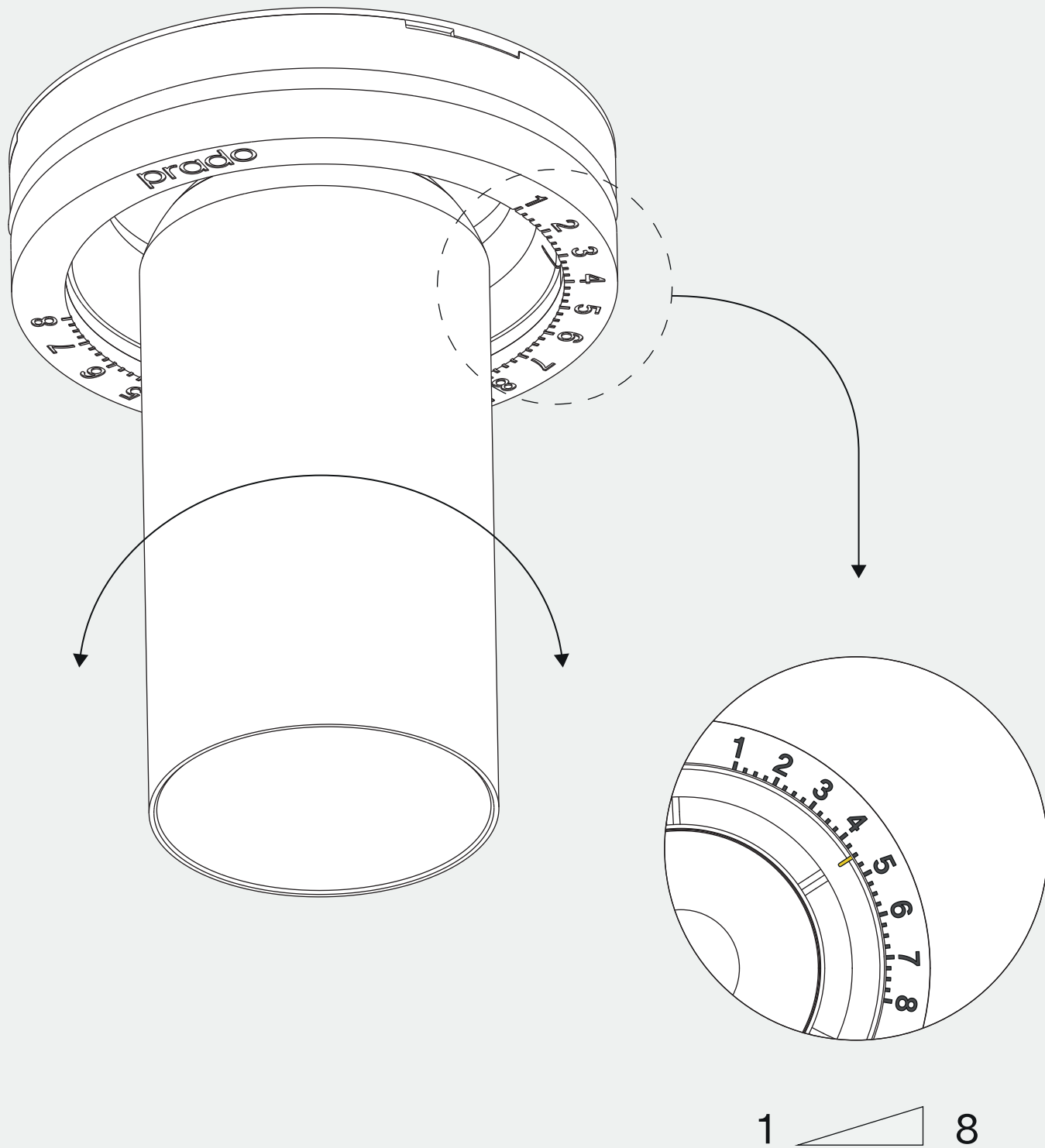


1. insert the wires into the connector
2. compress the middle part
3. seal with a heater

10

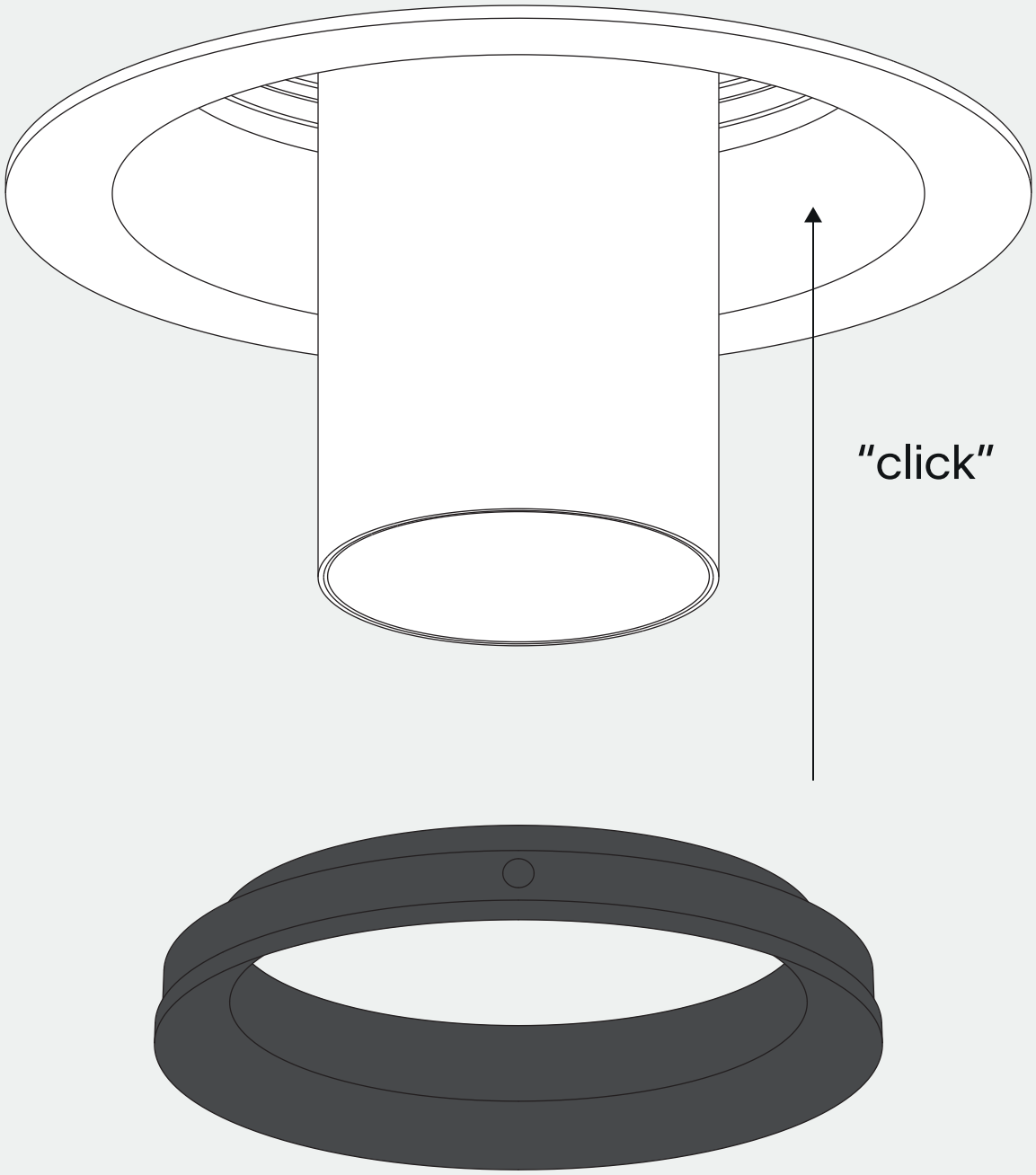


gently insert the fixture into the kit until it "clicks"

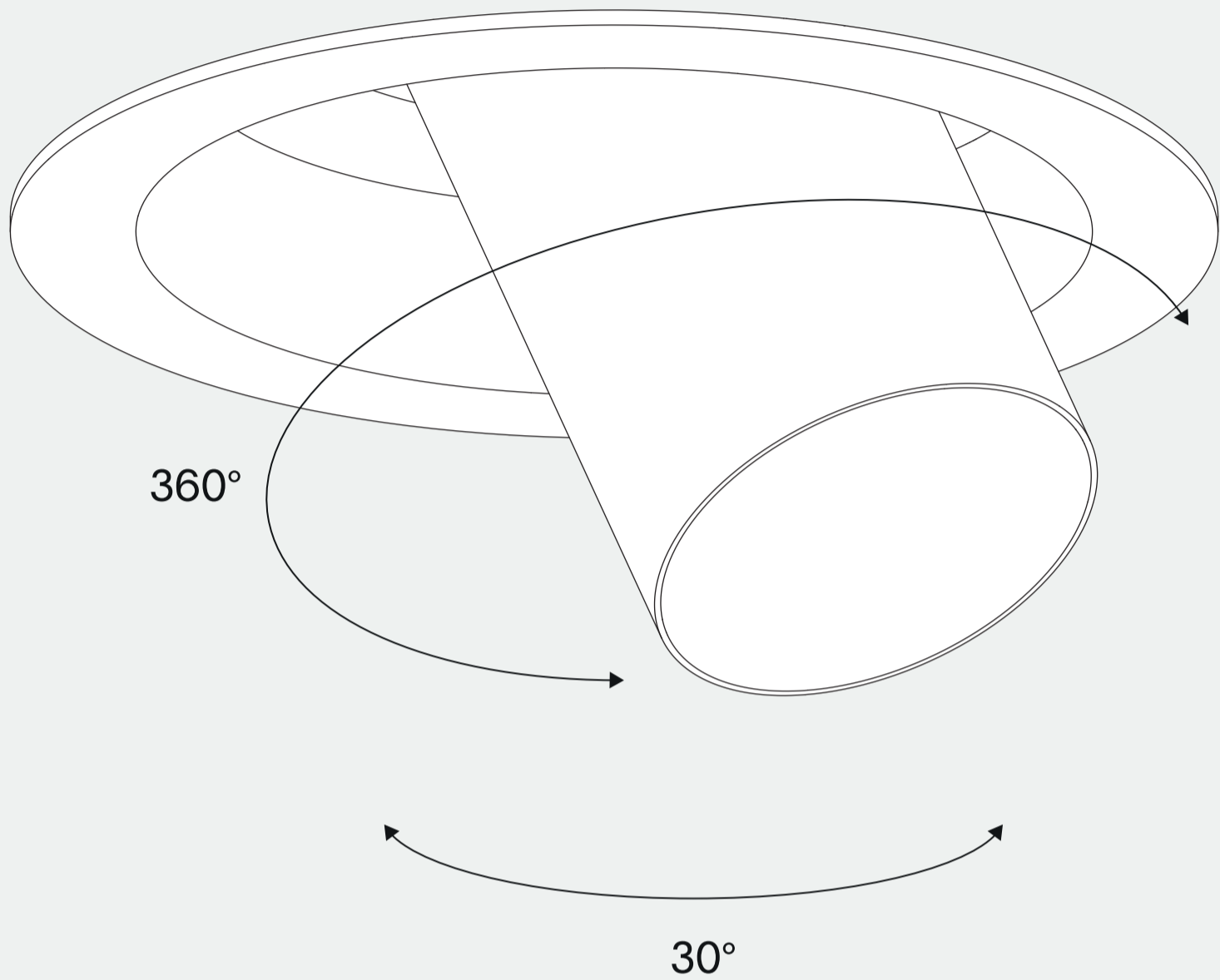


twist the luminaire to adjust the ventilation flow level

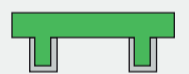
12



insert the design ring to lock the ventilation valve



POWER  
ON



twist the luminaire as desired  
thank you for choosing prado

			IP 65	CE		Replace glass lens when broken. Luminaire shall only be used together with glass lens.
--	--	--	-------	----	--	---

[prado.eu](http://prado.eu)

The light source in this luminaire shall only be replaced by the manufacturer or a similar qualified person. Warranty will not apply in case of wrongful use or if unskilled personnel attempts to repair the product.